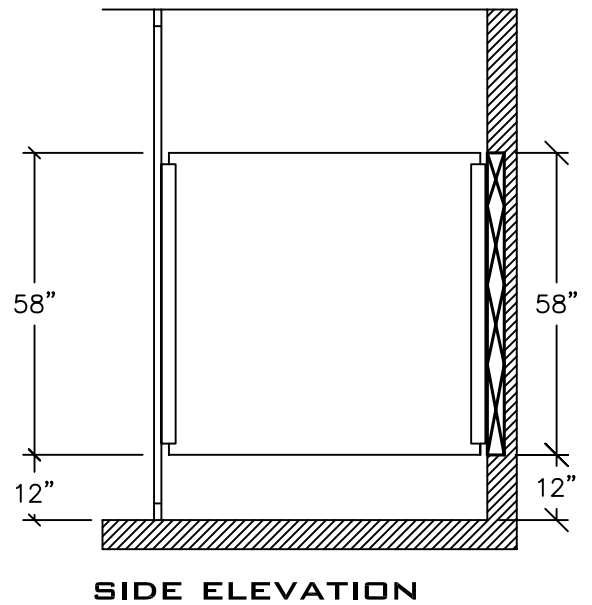
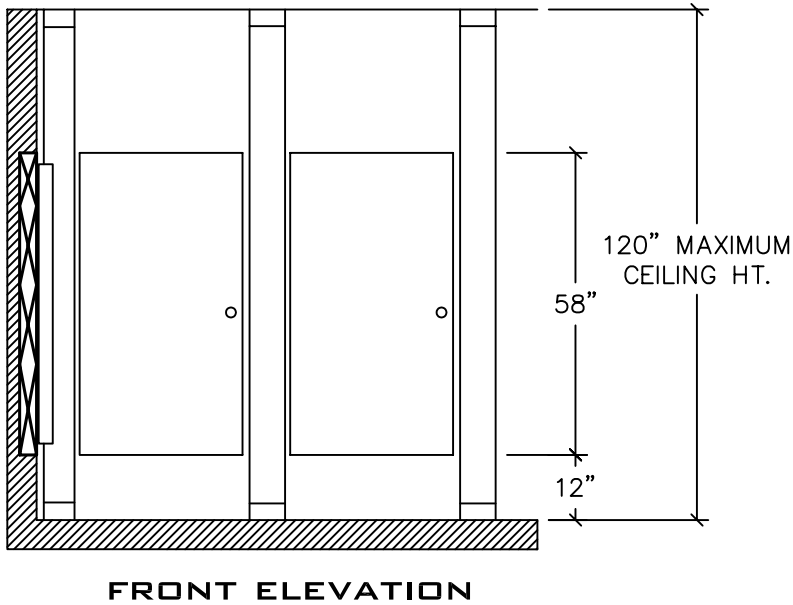
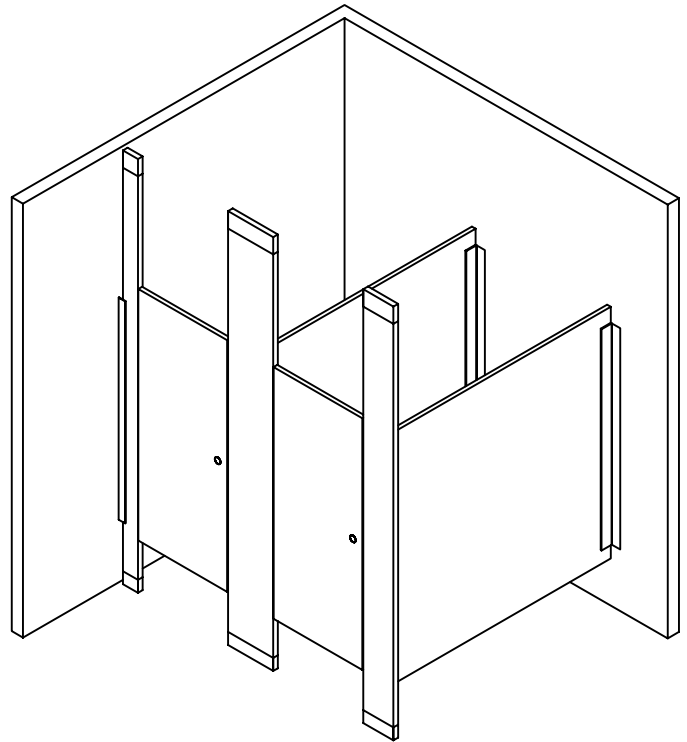
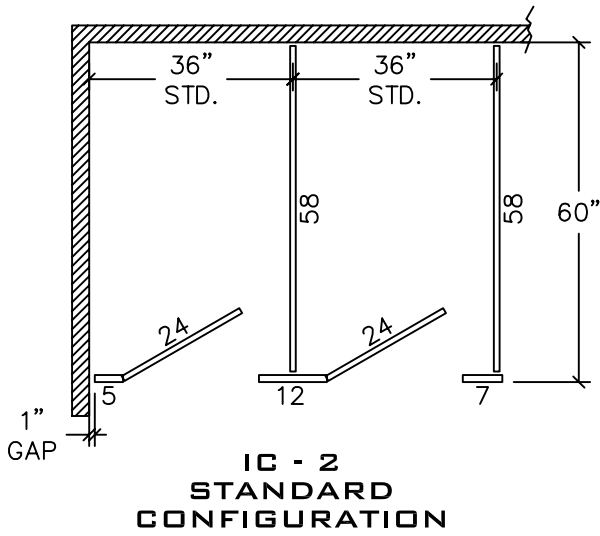


POWDER COATED STEEL
FLOOR-TO-CEILING ANCHORED
2.13A



 BLOCKING IN WALL BY OTHERS

REV 12/04