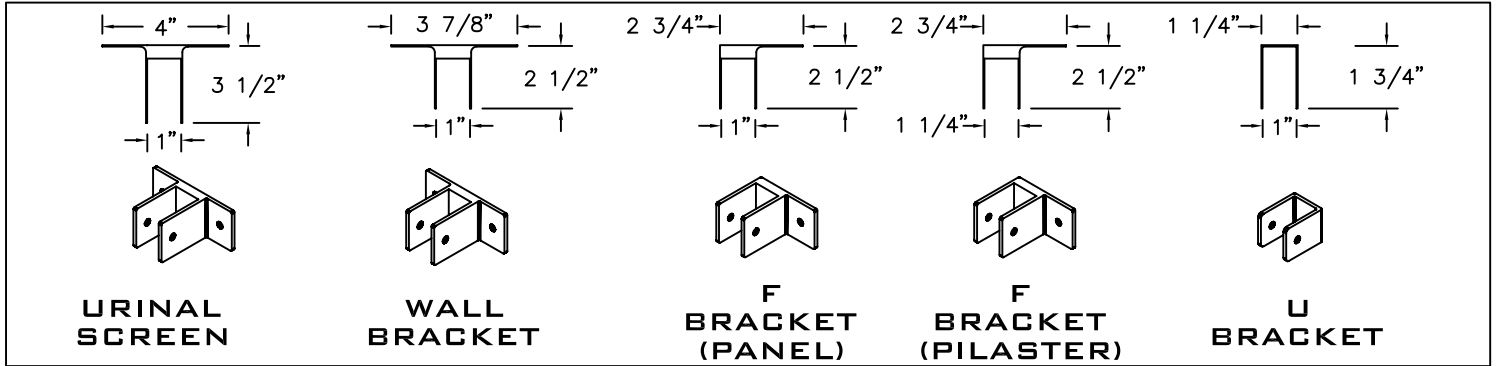
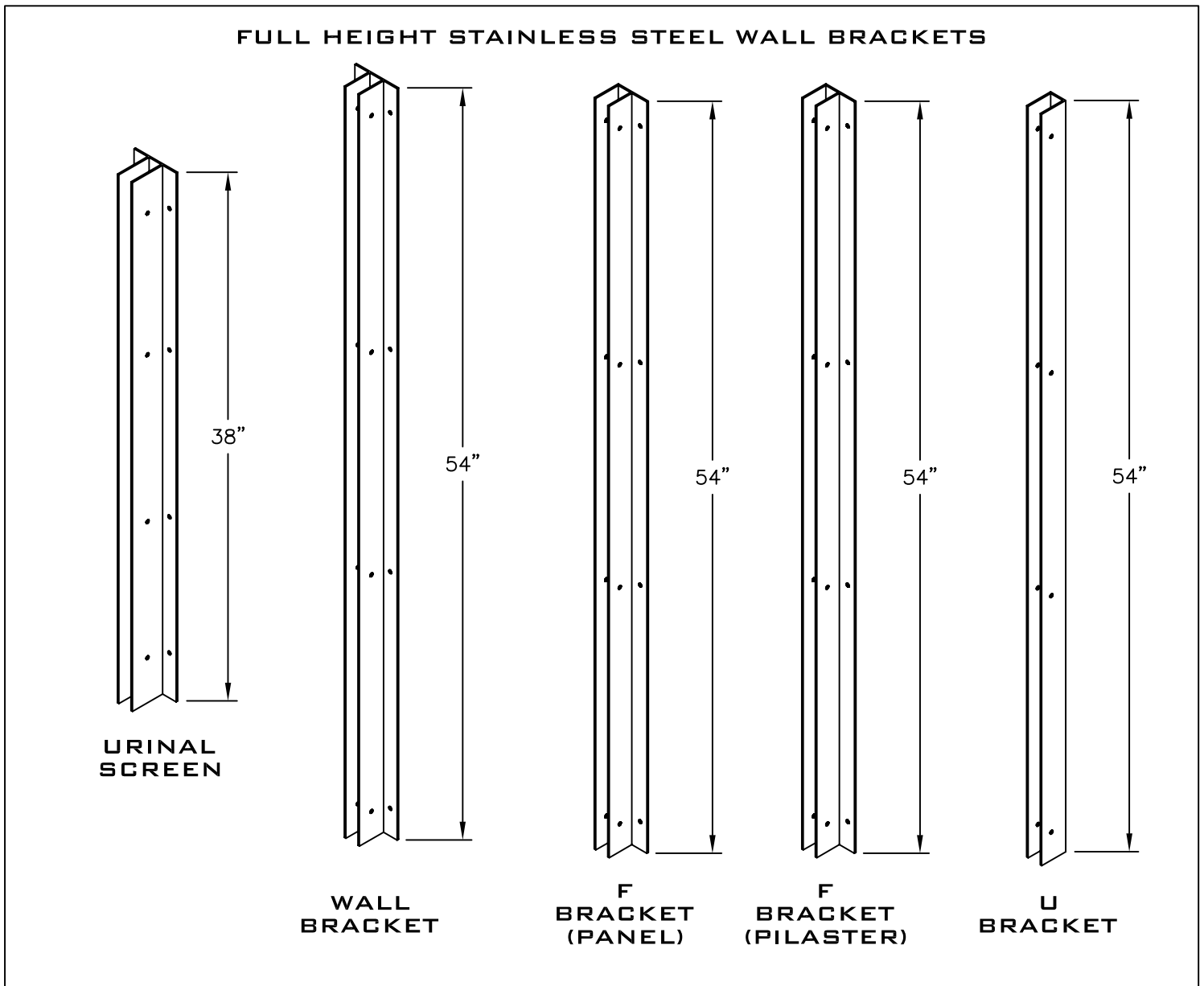


STIRRUP BRACKETS
CHROME PLATED ZAMAC OR STAINLESS STEEL



FULL HEIGHT STAINLESS STEEL WALL BRACKETS



REV 12/04