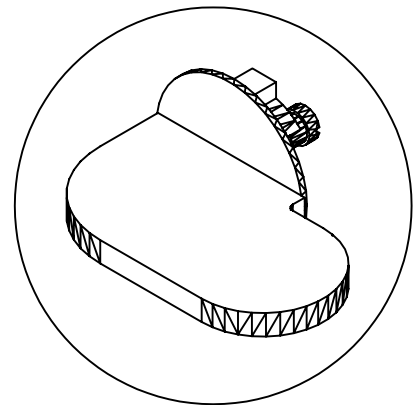
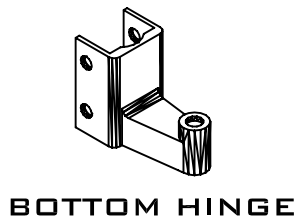
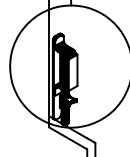
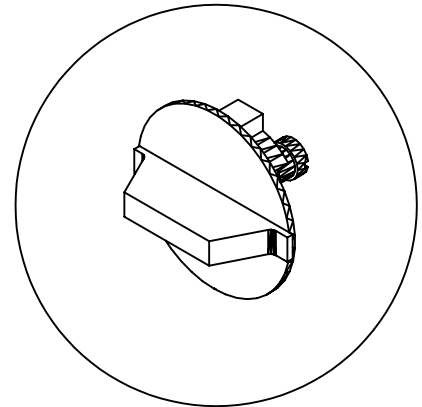
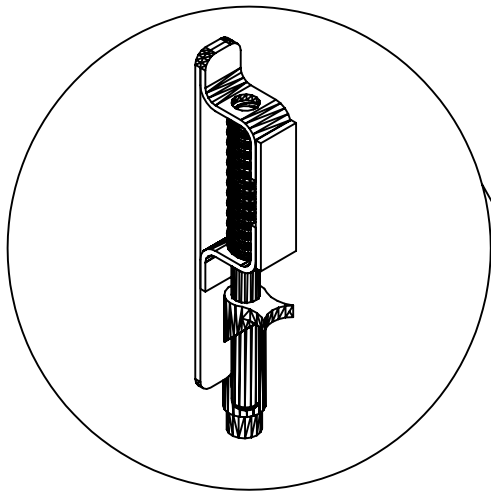
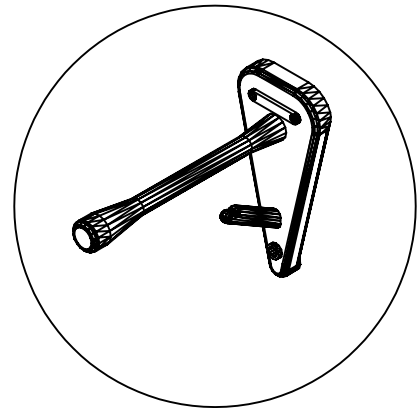


POWDER COATED STEEL
COMPARTMENT DOOR DETAIL
2.16



REV 12/04