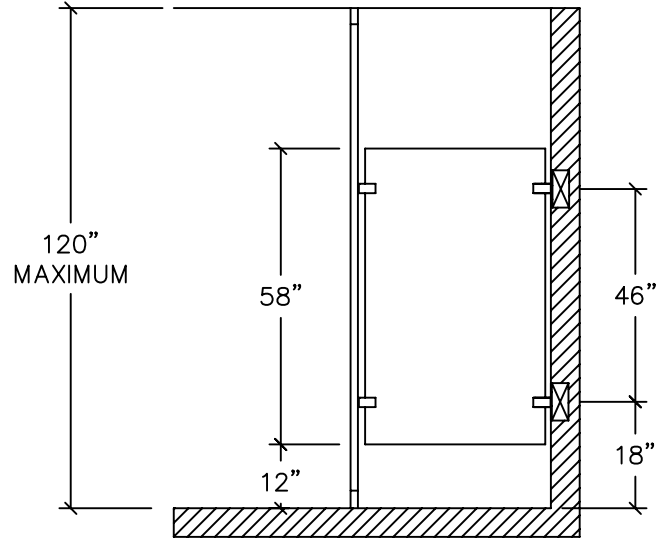
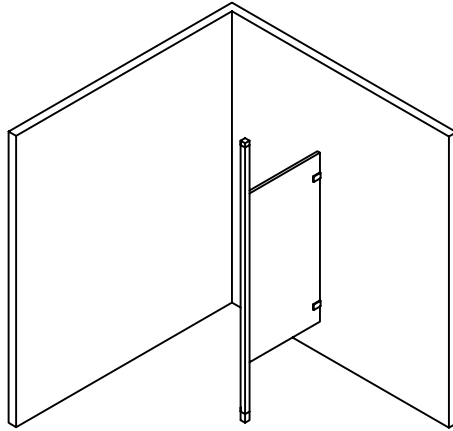
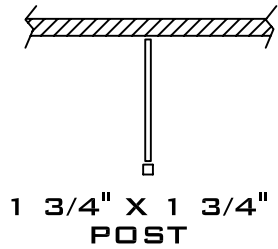


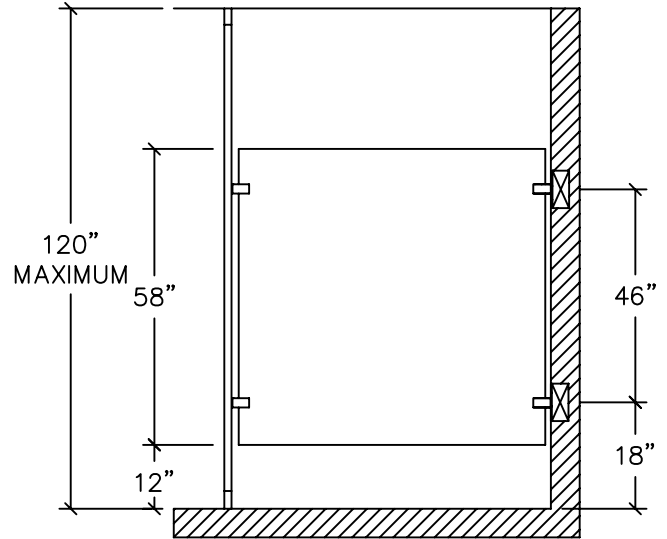
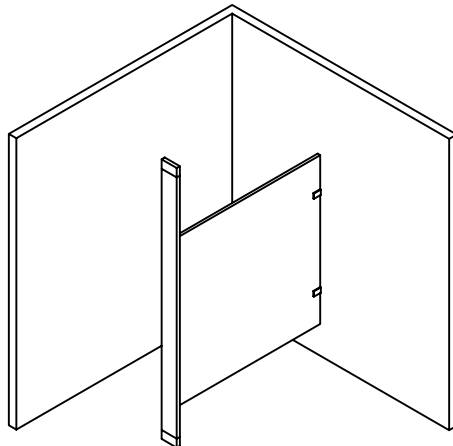
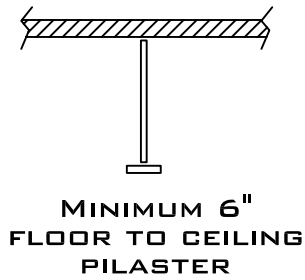
**POWDER COATED STEEL  
URINAL AND SIGHT SCREENS  
2.18**

**FLOOR-TO-CEILING SCREENS  
WITH 1 3/4" X 1 3/4"  
ALUMINUM OR POWDER COATED POST**



**SIDE ELEVATION**

**FLOOR-TO-CEILING SCREENS  
WITH PILASTER**



**SIDE ELEVATION**

**SIGHT SCREENS ABOVE ARE 58" HIGH BY DEPTH REQUIRED  
AVAILABLE WITH CHROME PLATED ZAMAC, STAINLESS STEEL  
STIRRUP BRACKETS, FULL HEIGHT ALUMINUM OR  
STAINLESS STEEL BRACKETS**

 **BLOCKING IN WALL BY OTHERS**

REV 12/04