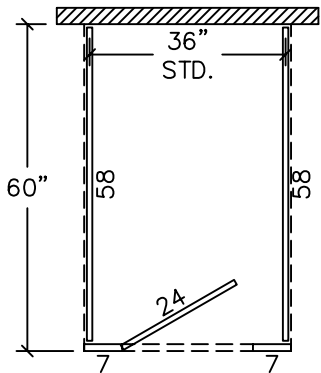
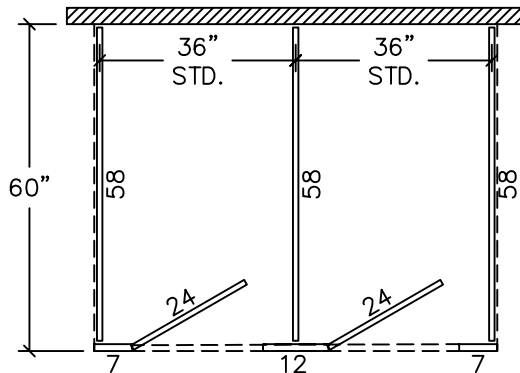


**DETAILS**

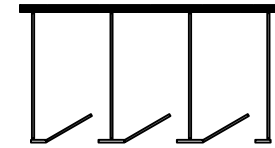
**POWDER COATED STEEL  
TYPICAL FREE STANDING  
LAYOUTS  
2.2**



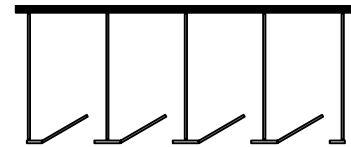
**FS - 1  
STANDARD  
CONFIGURATION**



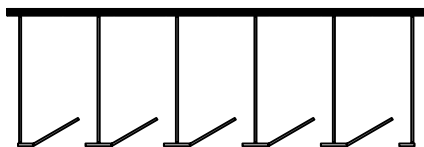
**FS - 2  
STANDARD  
CONFIGURATION**



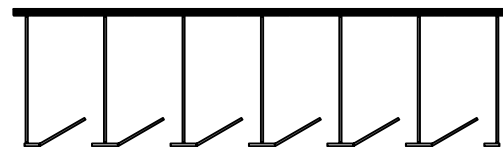
**FS-3**



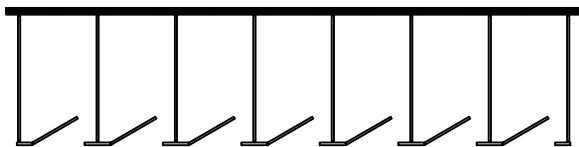
**FS-4**



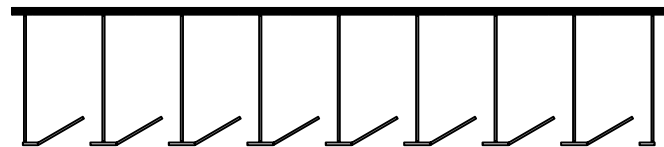
**FS-5**



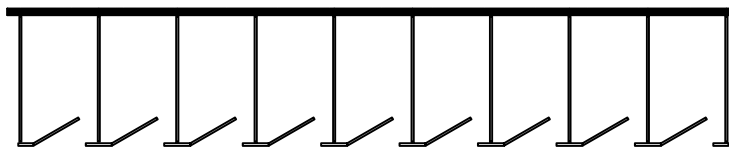
**FS-6**



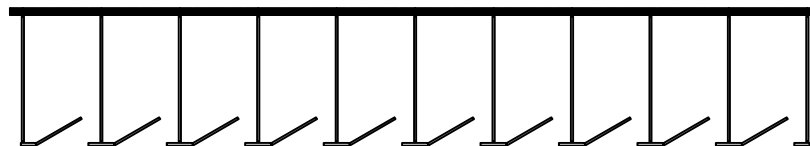
**FS-7**



**FS-8**



**FS-9**



**FS-10**

REV 12/04