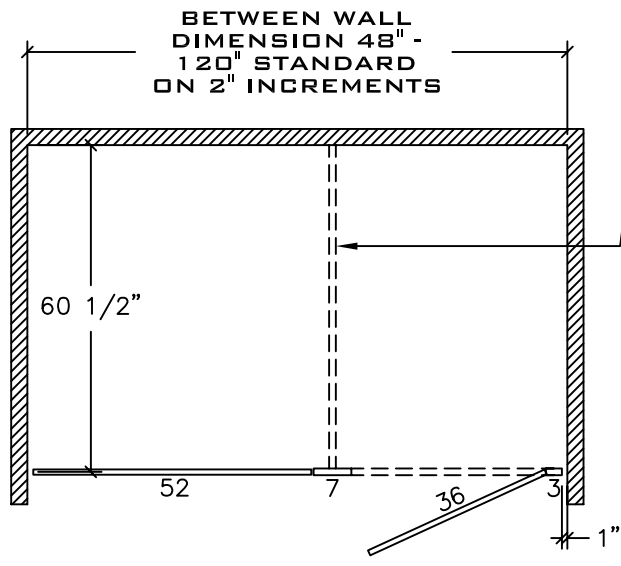
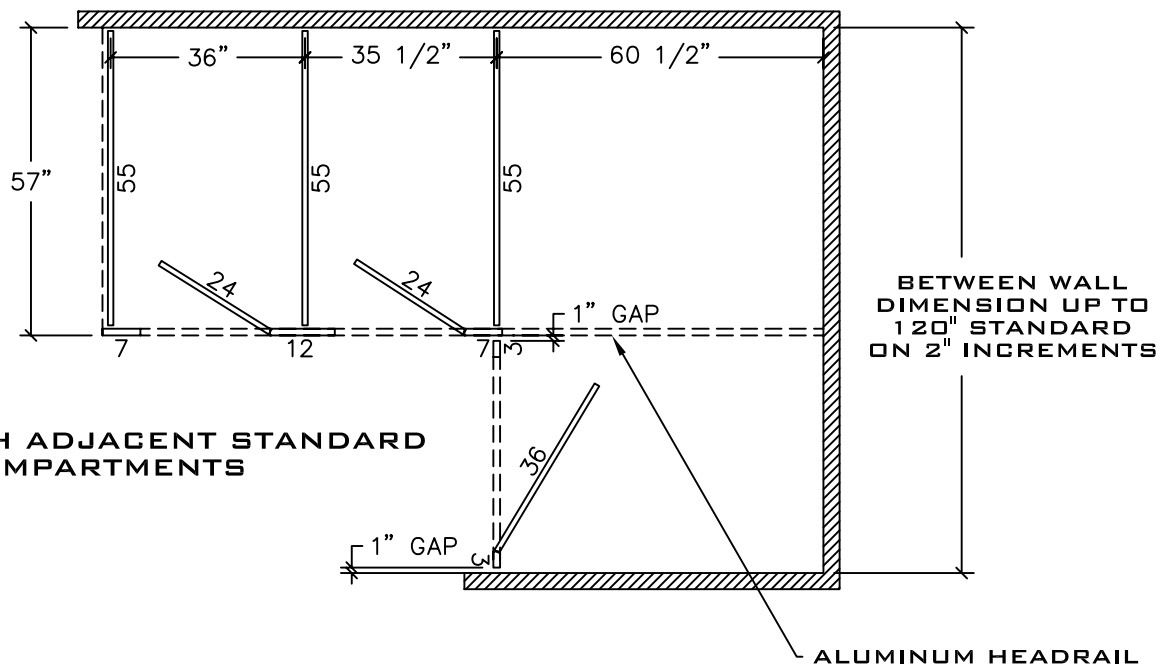


DETAILS

**POWDER COATED STEEL
FLOOR ANCHORED /
OVERHEAD BRACED
TYPICAL ALCOVE
LAYOUTS
2.2A**



SINGLE ALCOVE



ALCOVE WITH ADJACENT STANDARD COMPARTMENTS

REV 12/04