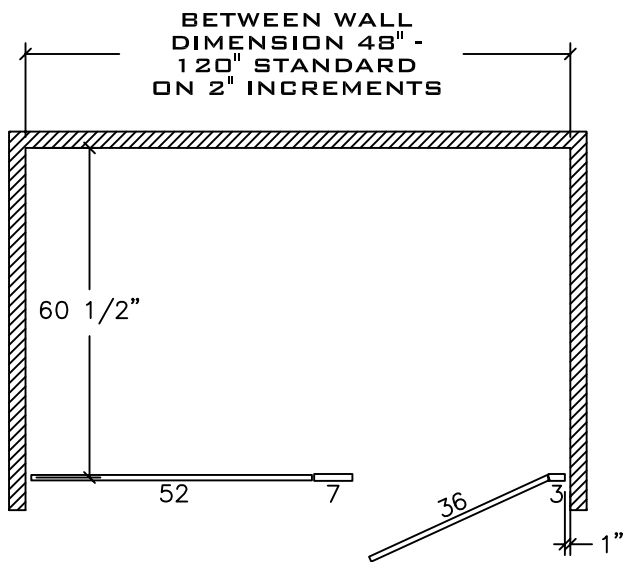
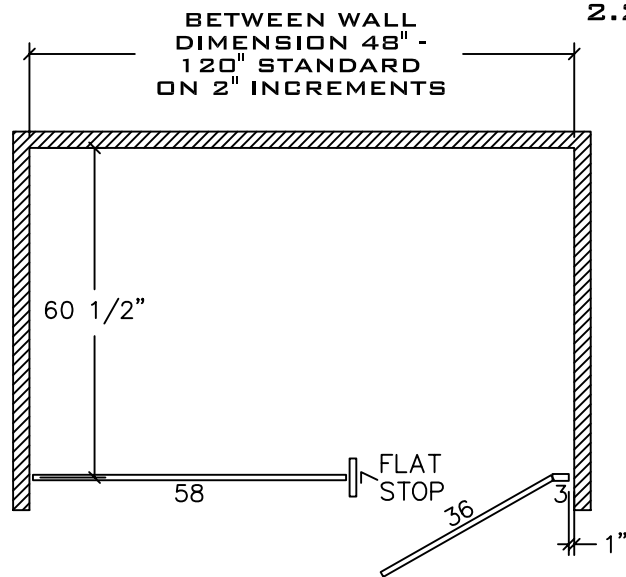


**DETAILS**

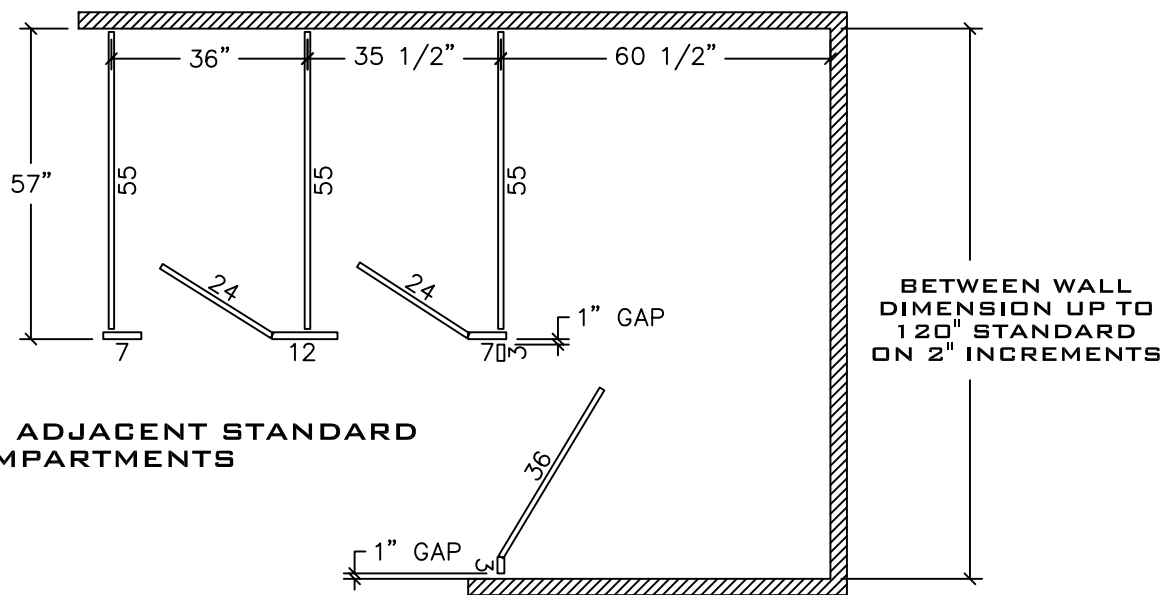
**POWDER COATED STEEL  
FLOOR-TO-CEILING, FLOOR  
ANCHORED, CEILING HUNG  
TYPICAL ALCOVE  
LAYOUTS  
2.2B**



**FLOOR - TO - CEILING**



**FLOOR ANCHORED OR CEILING HUNG  
(PILASTER SET @ 90°)**



**ALCOVE WITH ADJACENT STANDARD  
COMPARTMENTS**

REV 12/04