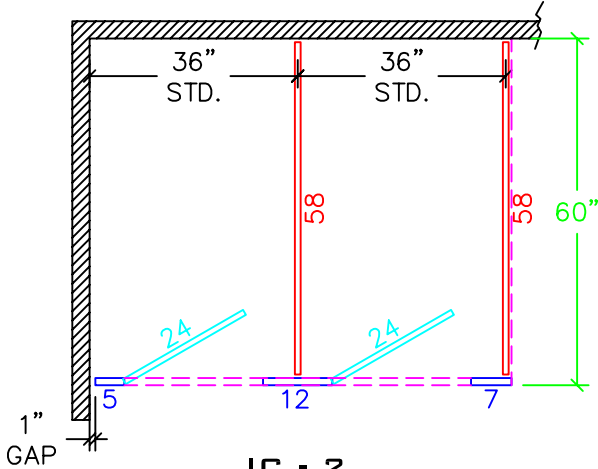
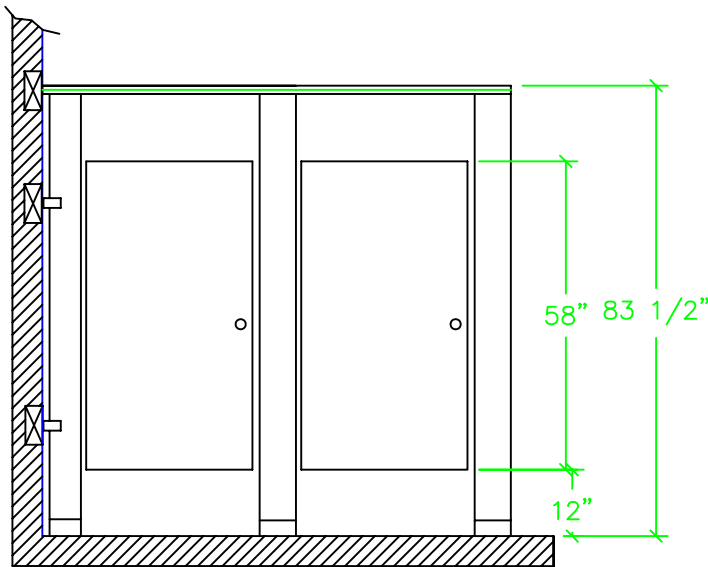
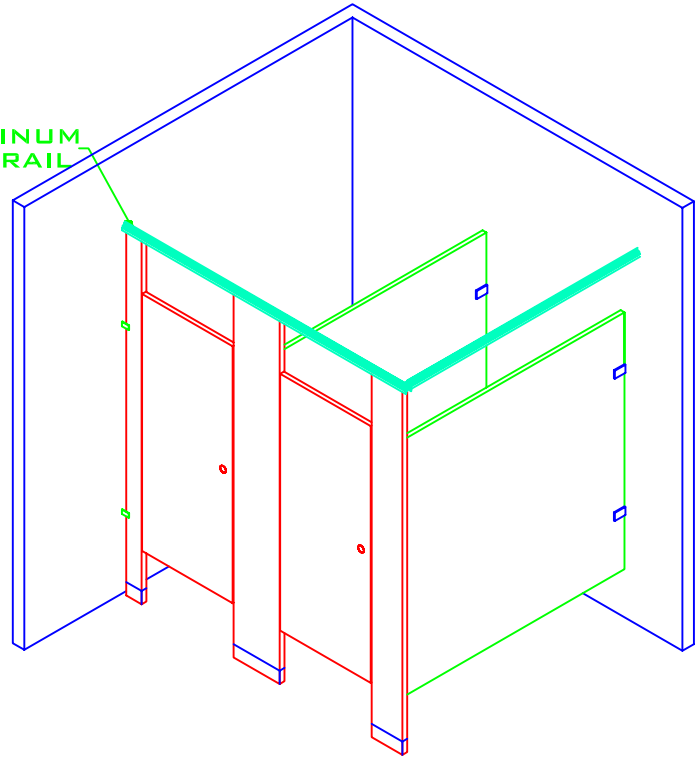


POWDER COATED STEEL
FLOOR ANCHORED /
OVERHEAD BRACED
2.4

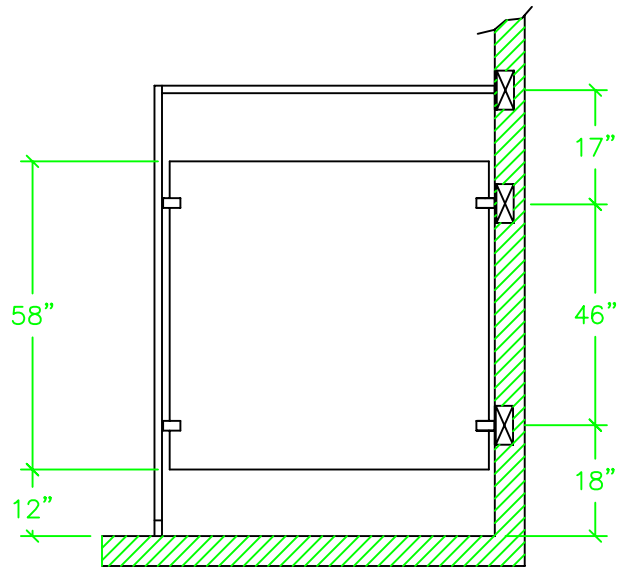


IC - 2
STANDARD
CONFIGURATION

ALUMINUM
HEADRAIL



FRONT ELEVATION



SIDE ELEVATION

BLOCKING IN WALL BY OTHERS

REV 12/04