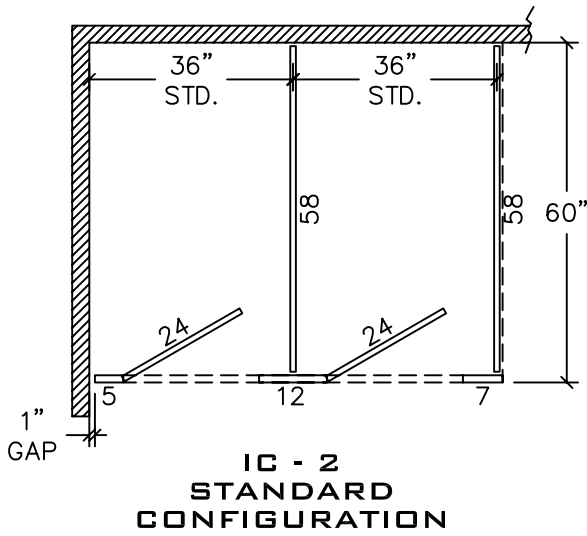
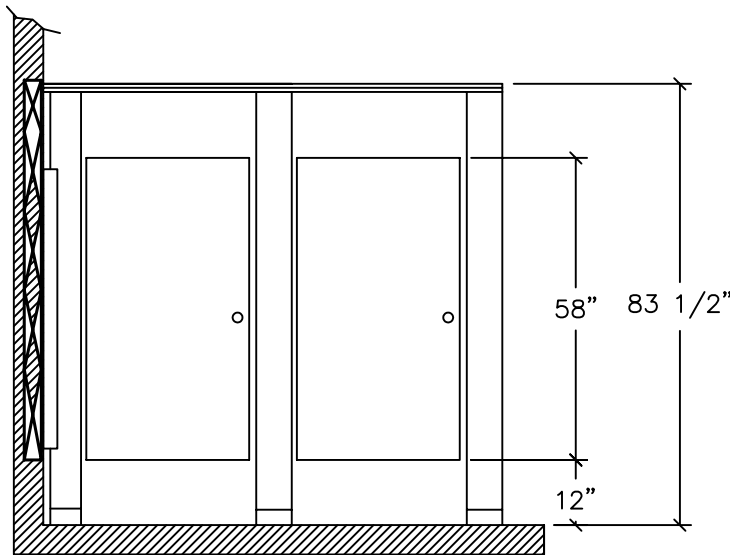
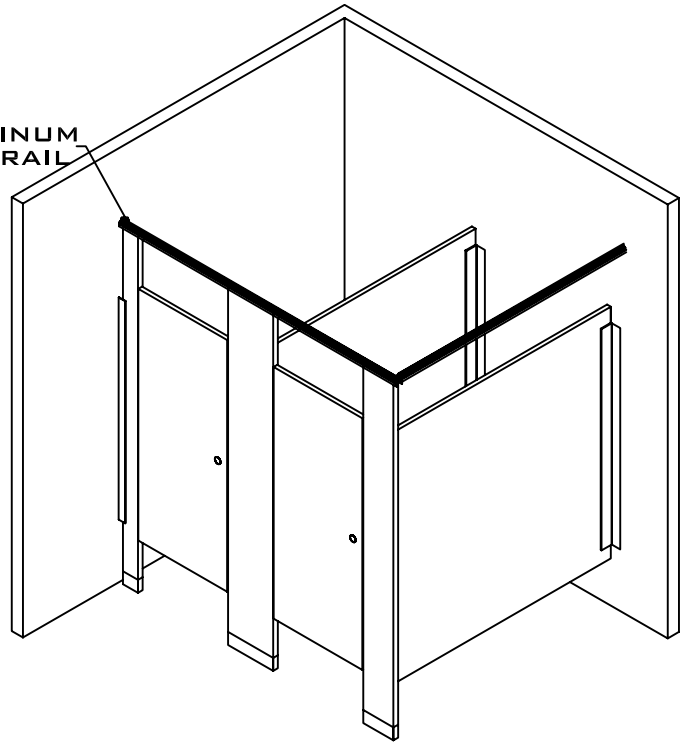


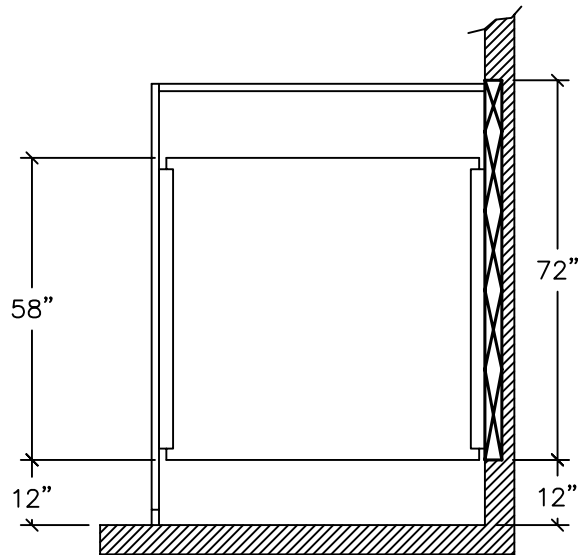
**POWDER COATED STEEL  
FLOOR ANCHORED /  
OVERHEAD BRACED  
2.4A**



**ALUMINUM  
HEADRAIL**



**FRONT ELEVATION**



**SIDE ELEVATION**

 **BLOCKING IN WALL BY OTHERS**

REV 12/04