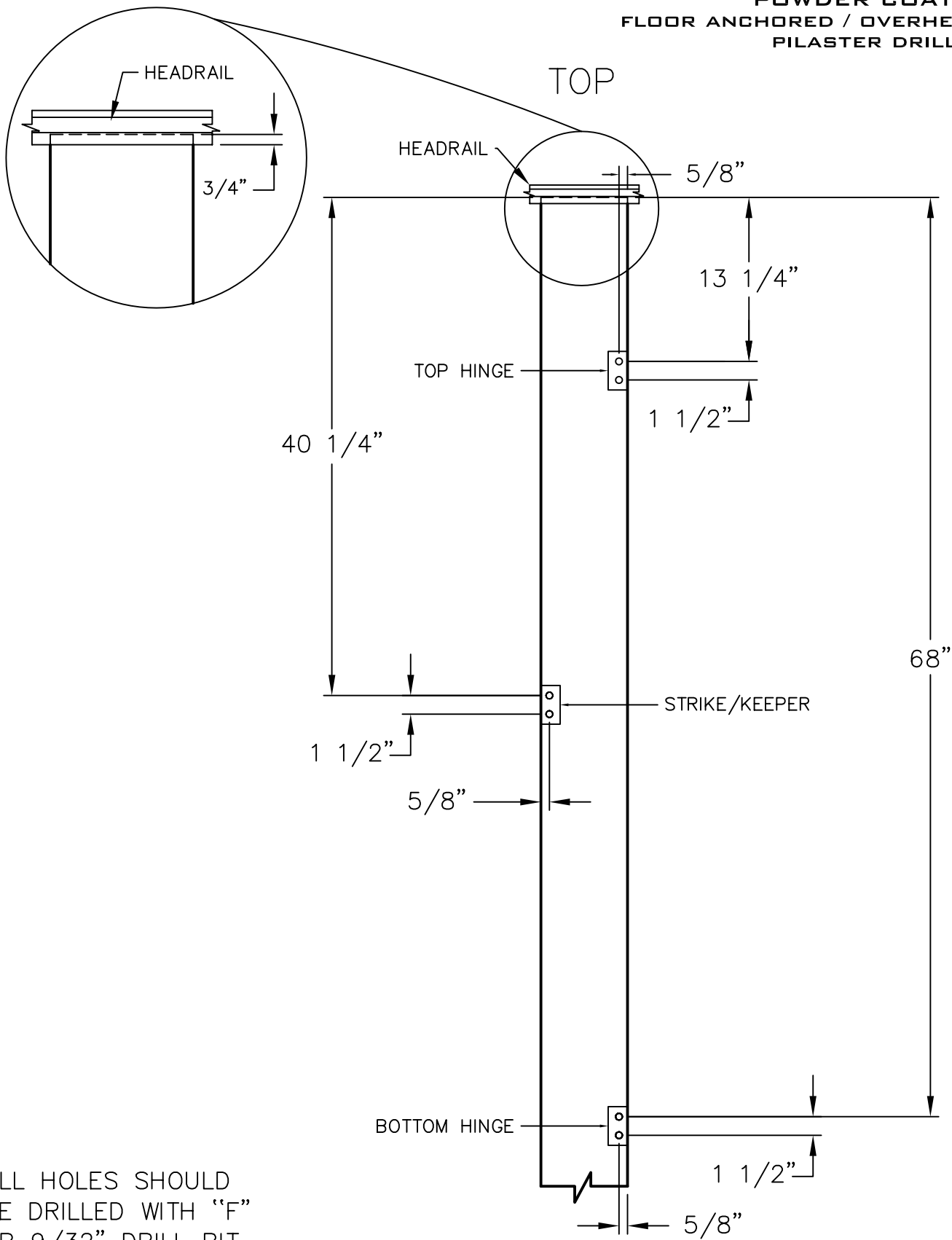


POWDER COATED STEEL
FLOOR ANCHORED / OVERHEAD BRACED
PILASTER DRILLING DETAIL
2.5D



ALL HOLES SHOULD
BE DRILLED WITH "F"
OR 9/32" DRILL BIT

REV 12/04

Accurate

Accurate Partitions Corp.

POWDER COATED STEEL
FLOOR ANCHORED / OVERHEAD BRACED
PILASTER DRILLING DETAIL
NOT TO SCALE