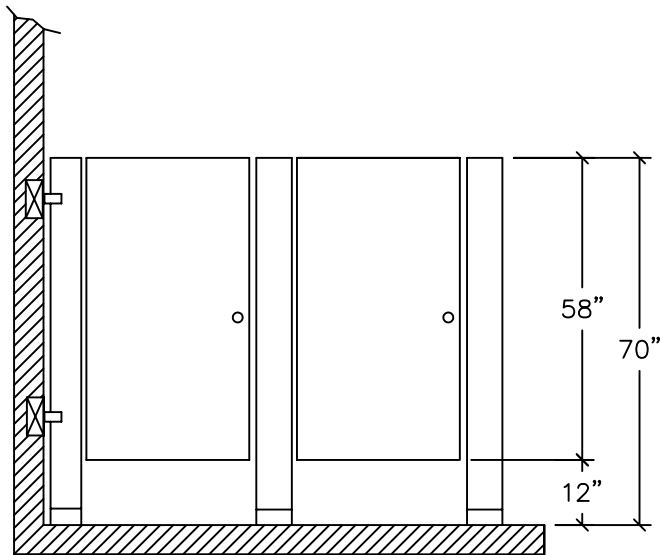
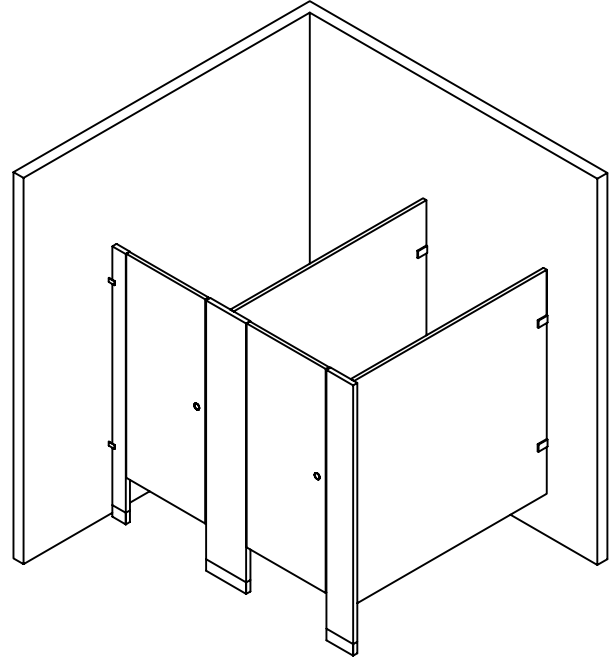
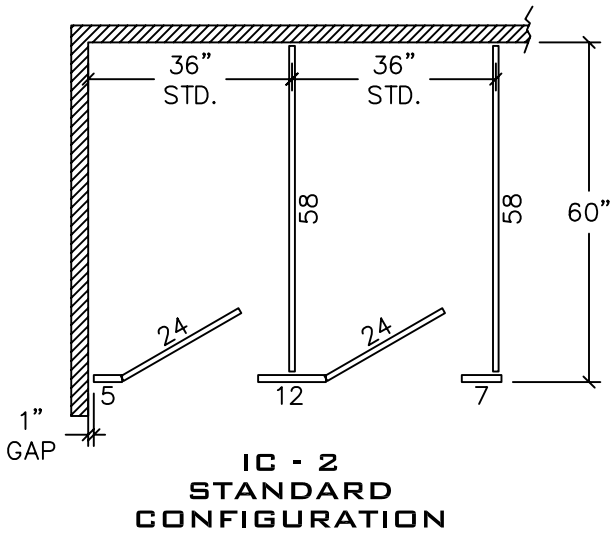
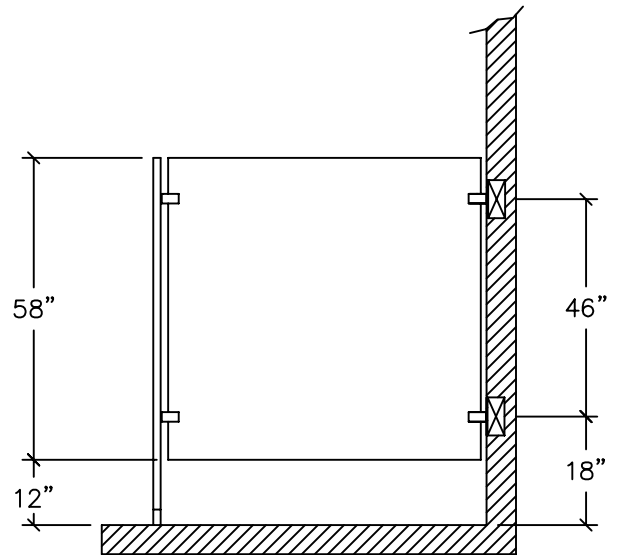


**POWDER COATED STEEL
FLOOR ANCHORED
2.7**



FRONT ELEVATION



SIDE ELEVATION

 **BLOCKING IN WALL BY OTHERS**

REV 12/04