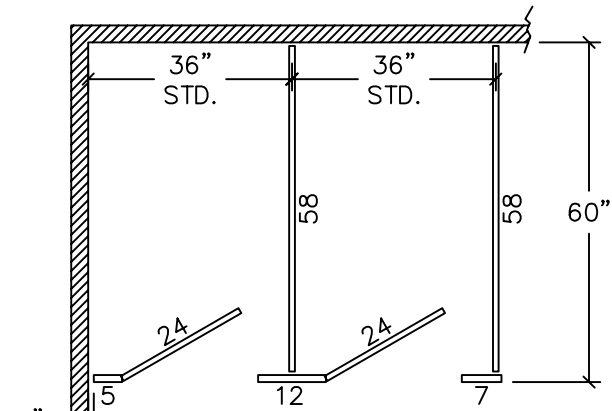
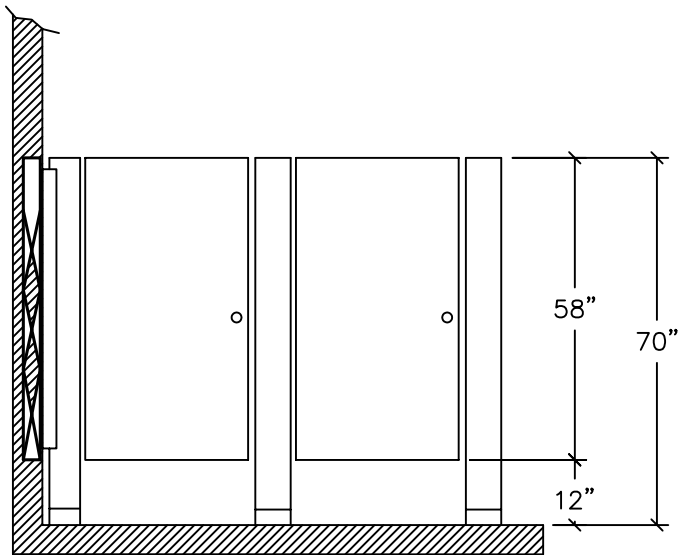
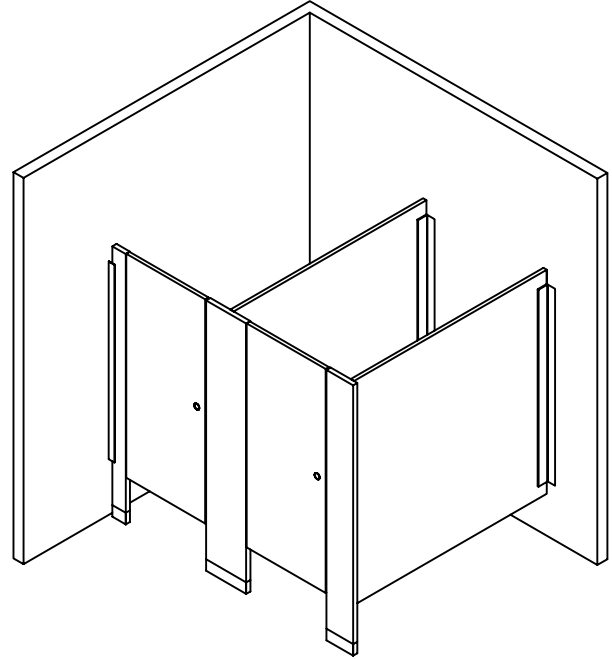


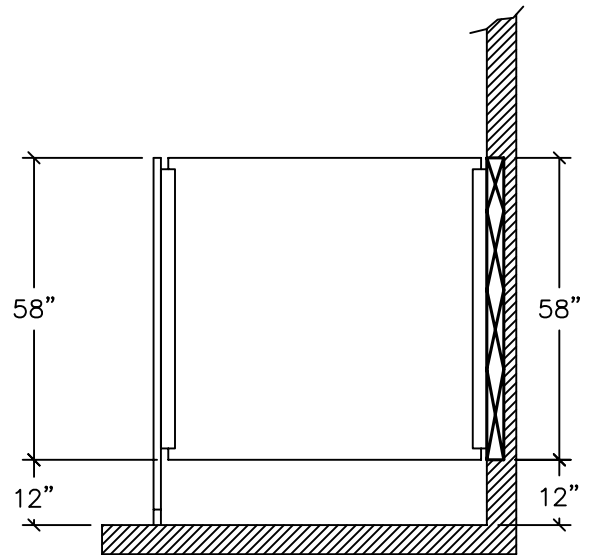
POWDER COATED STEEL
FLOOR ANCHORED
2.7A



IC - 2
STANDARD
CONFIGURATION



FRONT ELEVATION



SIDE ELEVATION

⊠ BLOCKING IN WALL BY OTHERS

REV 12/04