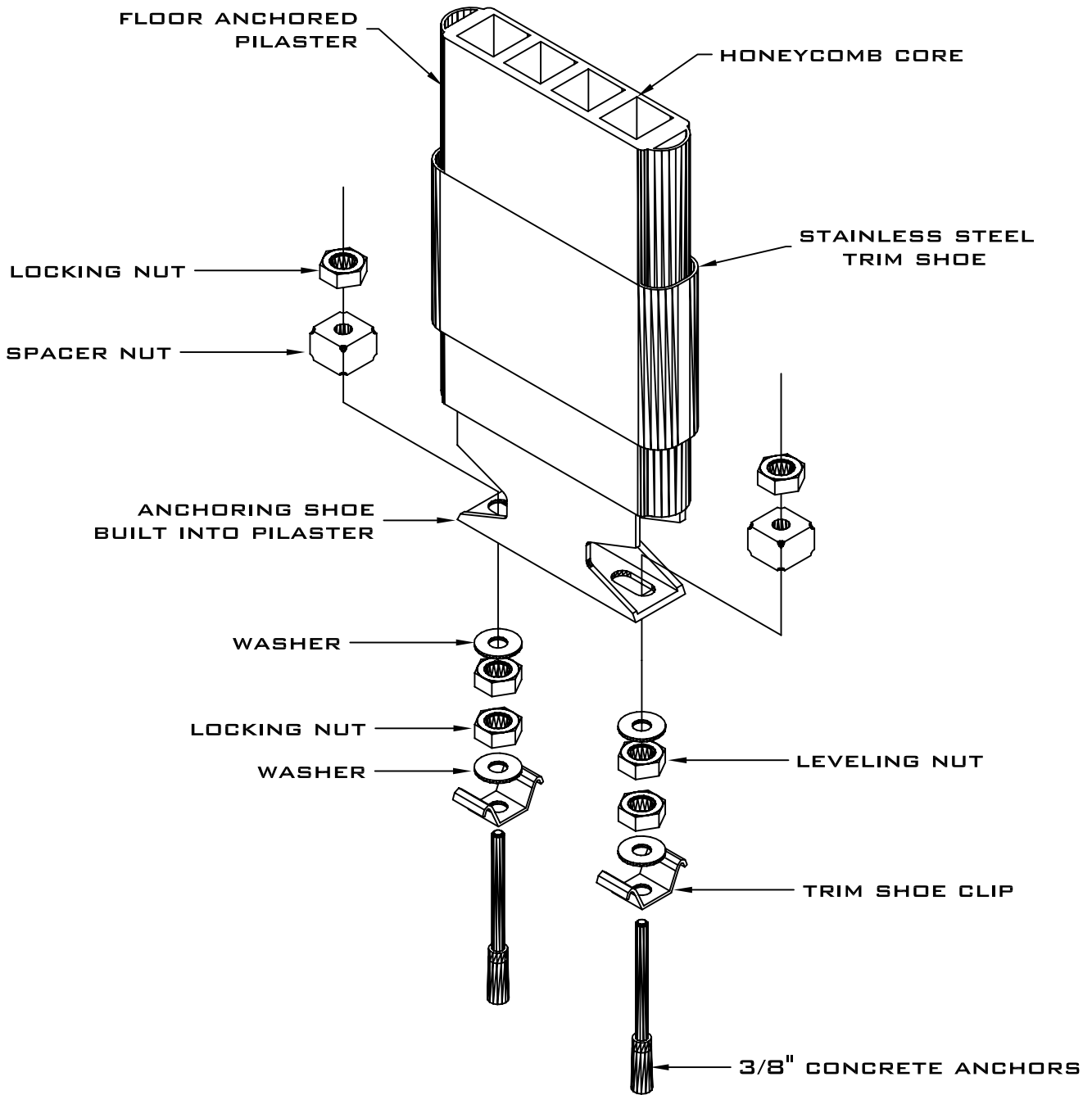


POWDER COATED STEEL  
FLOOR ANCHORED  
PILASTER MOUNTING DETAIL  
2.8



REV 12/04