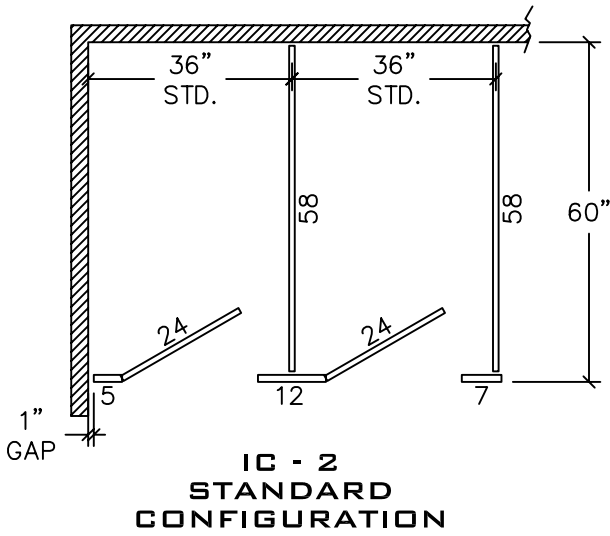
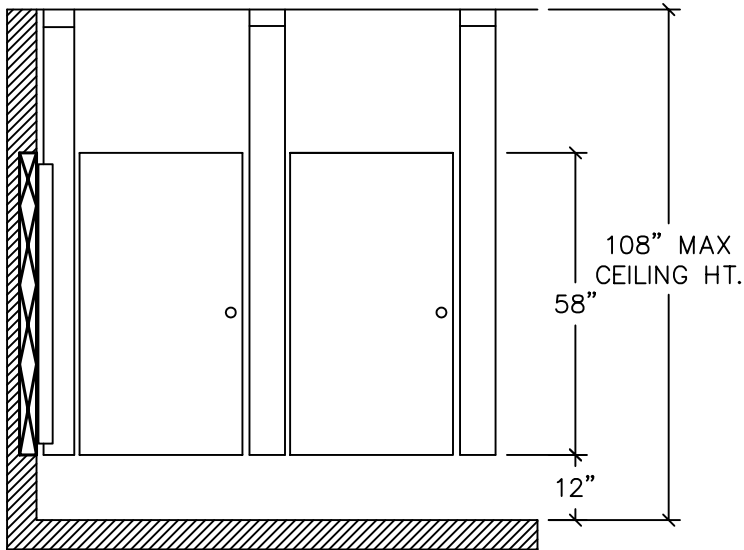
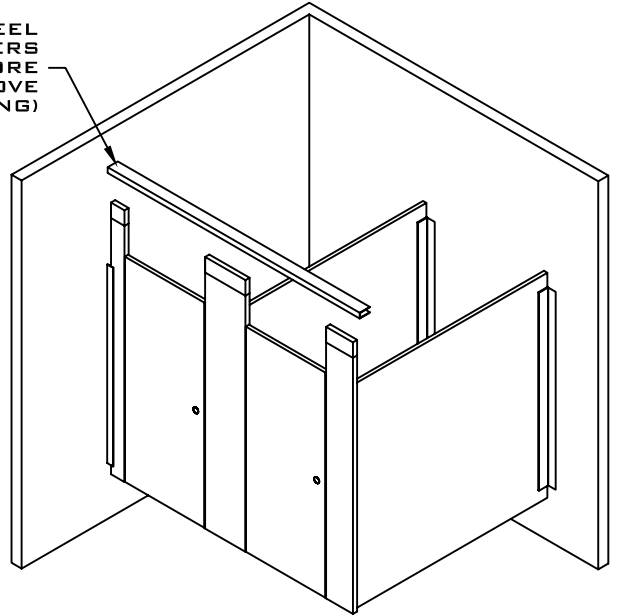


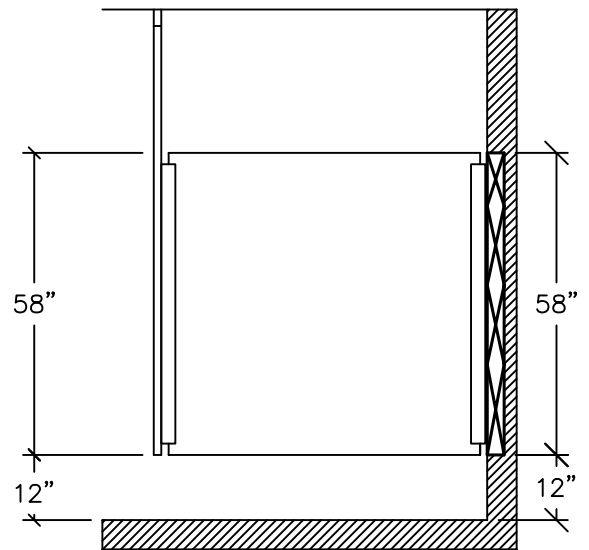
STAINLESS STEEL
CEILING HUNG
3.10A



STRUCTURAL STEEL
BY OTHERS
(LOCATED NO MORE
THAN 2 1/2" ABOVE
FINISHED CEILING)



FRONT ELEVATION



SIDE ELEVATION

⊠ BLOCKING IN WALL BY OTHERS

REV 12/04