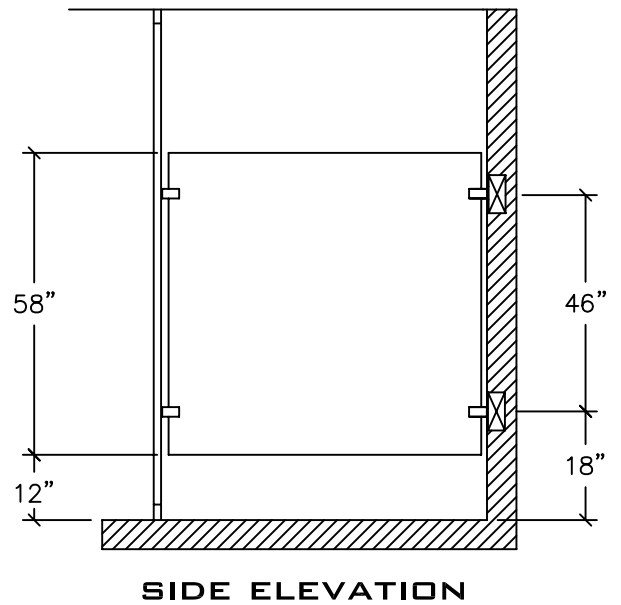
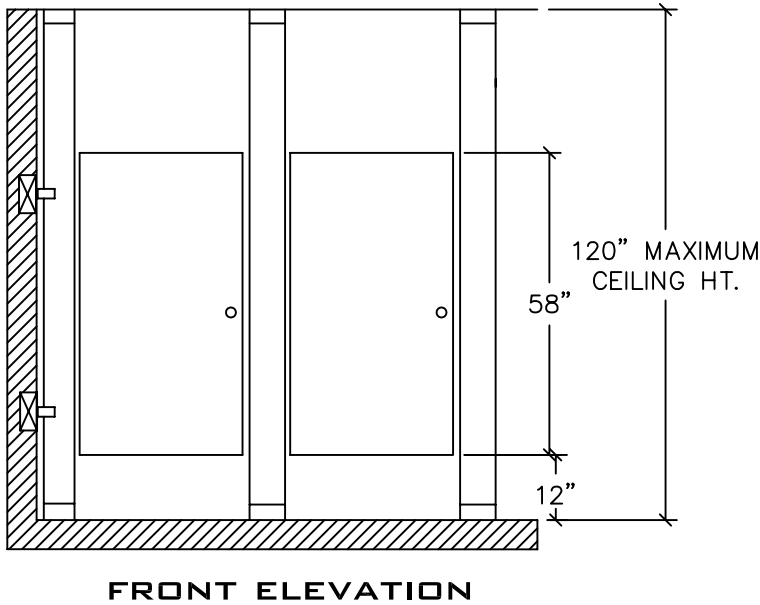
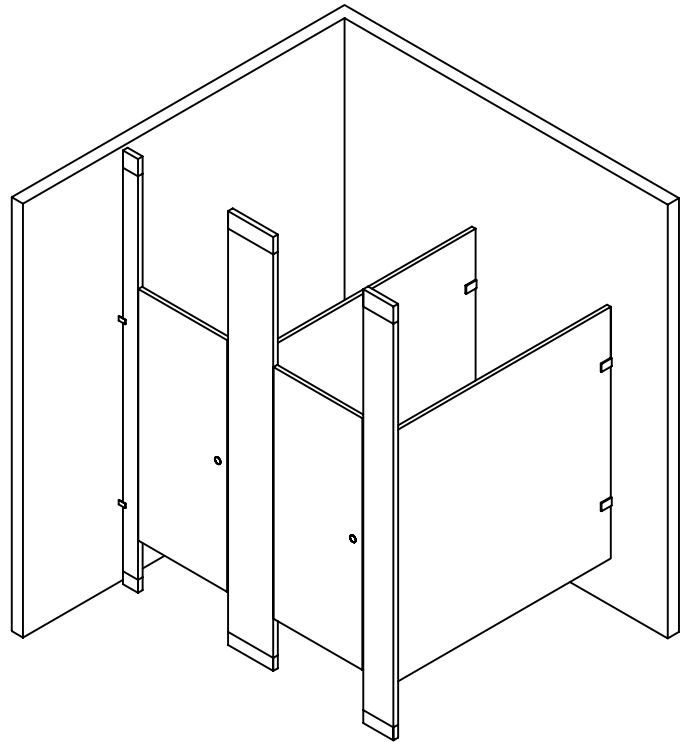
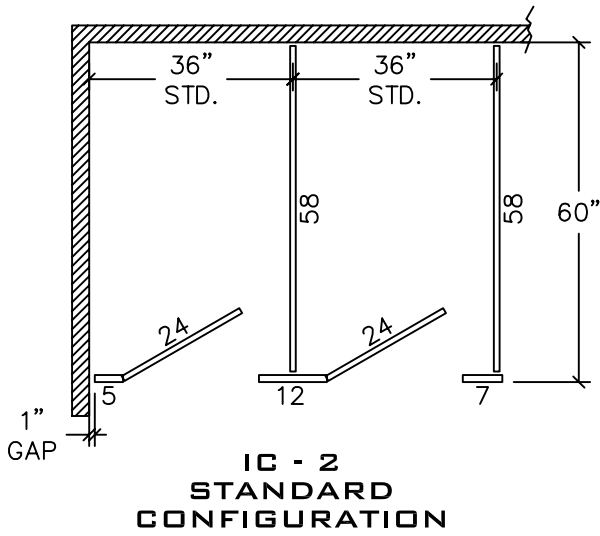


**STAINLESS STEEL
FLOOR-TO-CEILING ANCHORED
3.13**



BLOCKING IN WALL BY OTHERS

REV 12/04