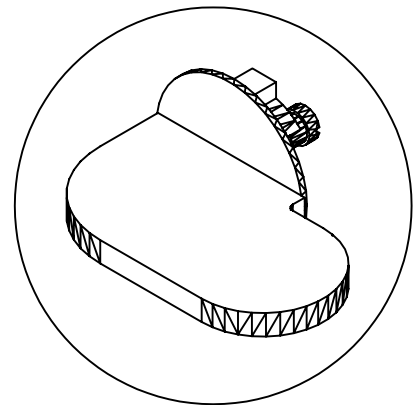
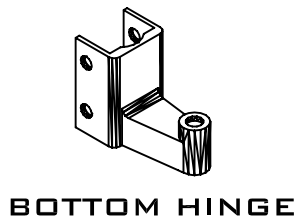
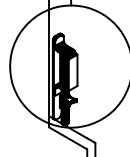
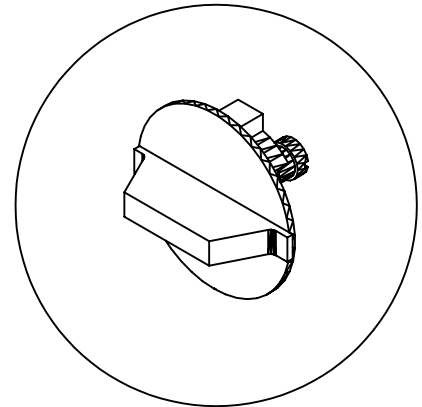
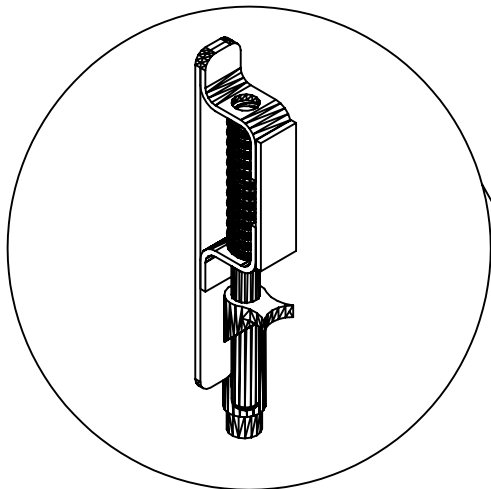
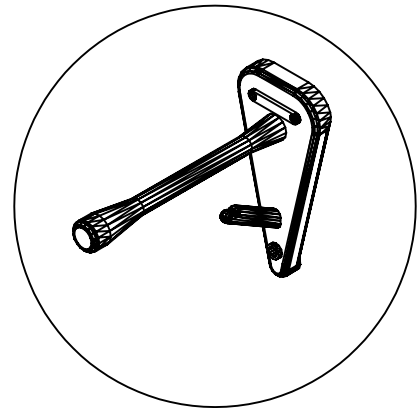


STAINLESS STEEL  
COMPARTMENT DOOR DETAIL  
3.16



REV 12/04