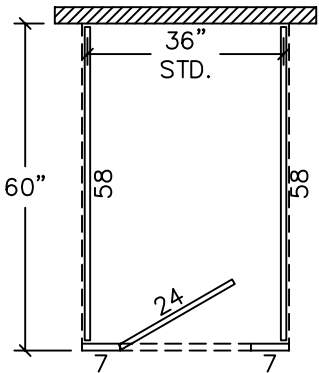
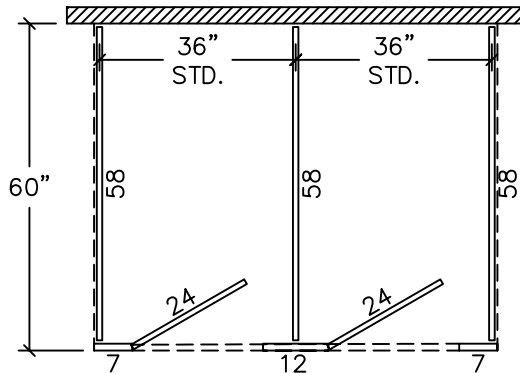


DETAILS

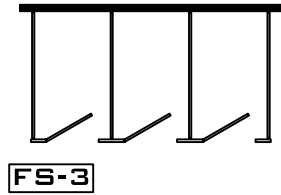
**STAINLESS STEEL
TYPICAL FREE STANDING
LAYOUTS
3.2**



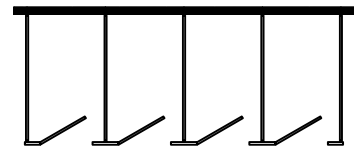
**FS - 1
STANDARD
CONFIGURATION**



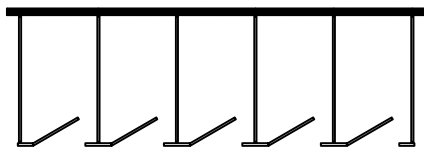
**FS - 2
STANDARD
CONFIGURATION**



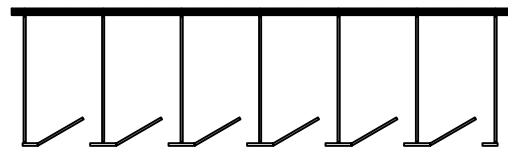
FS-3



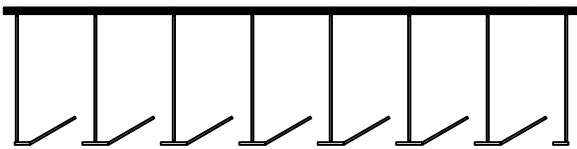
FS-4



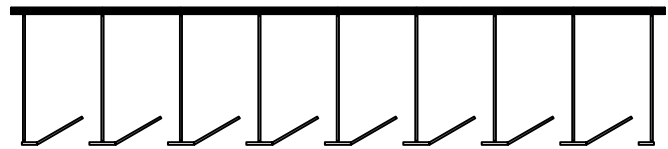
FS-5



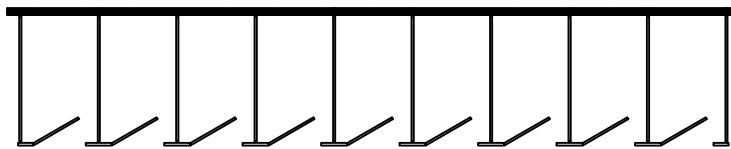
FS-6



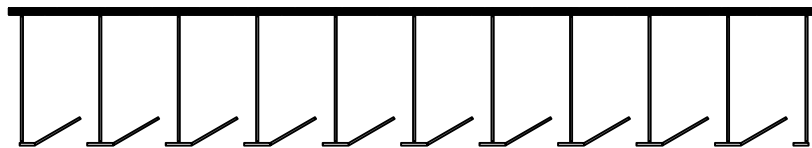
FS-7



FS-8



FS-9



FS-10

REV 12/04