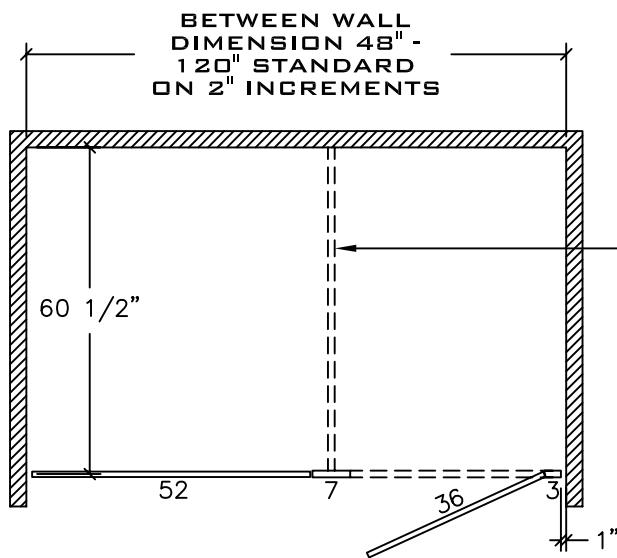


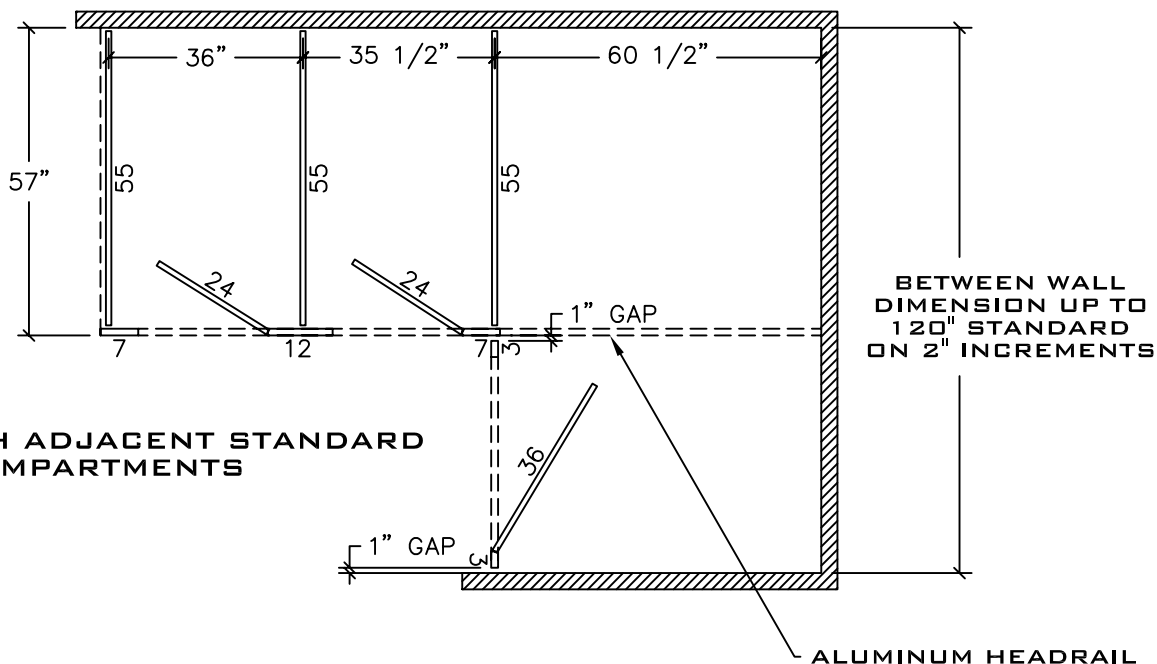
**DETAILS**

**STAINLESS STEEL  
FLOOR ANCHORED /  
OVERHEAD BRACED  
TYPICAL ALCOVE  
LAYOUTS  
3.2A**



**ALUMINUM HEADRAIL  
FOR SUPPORT ON  
ALCOVES 72" WIDE  
OR ABOVE**

**SINGLE ALCOVE**



**ALCOVE WITH ADJACENT STANDARD  
COMPARTMENTS**

REV 12/04