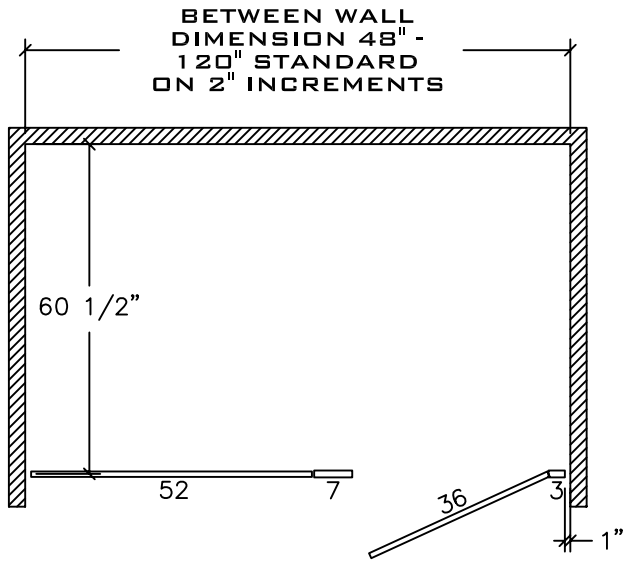
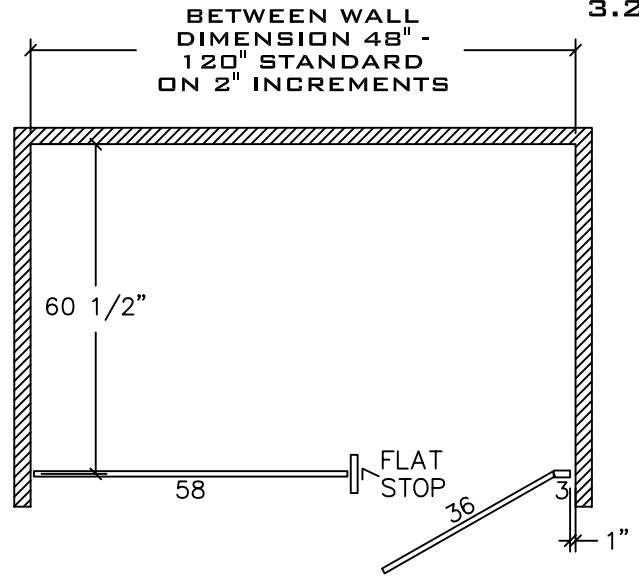


DETAILS

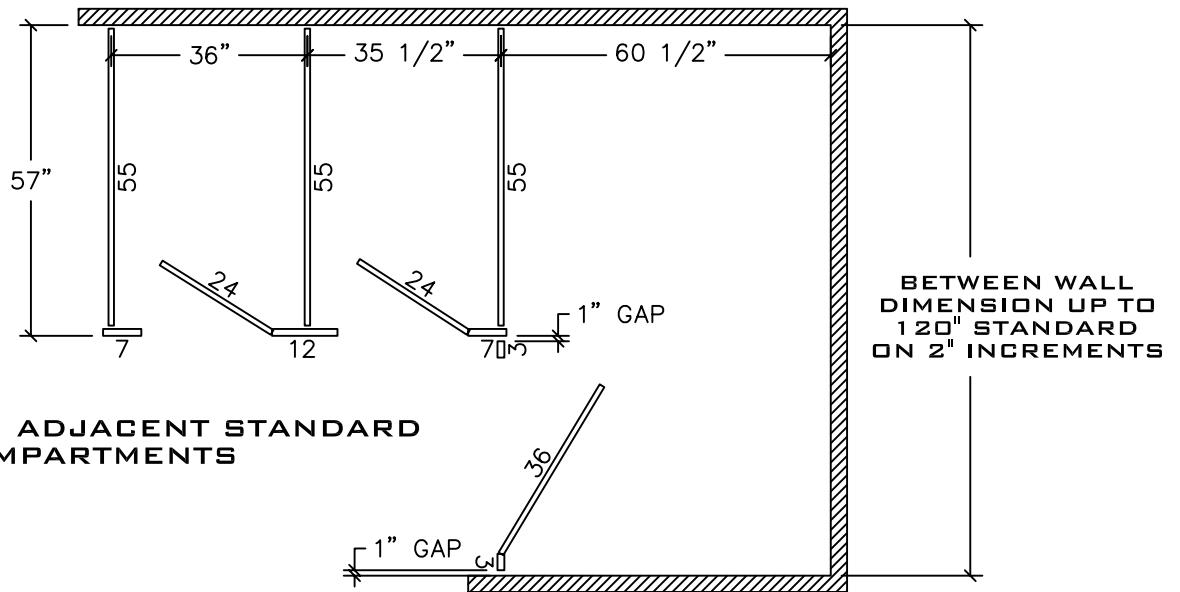
**STAINLESS STEEL
FLOOR-TO-CEILING, FLOOR
ANCHORED, CEILING HUNG
TYPICAL ALCOVE
LAYOUTS
3.2B**



FLOOR - TO - CEILING



**FLOOR ANCHORED OR CEILING HUNG
(PILASTER SET @ 90°)**



**ALCOVE WITH ADJACENT STANDARD
COMPARTMENTS**

REV 12/04