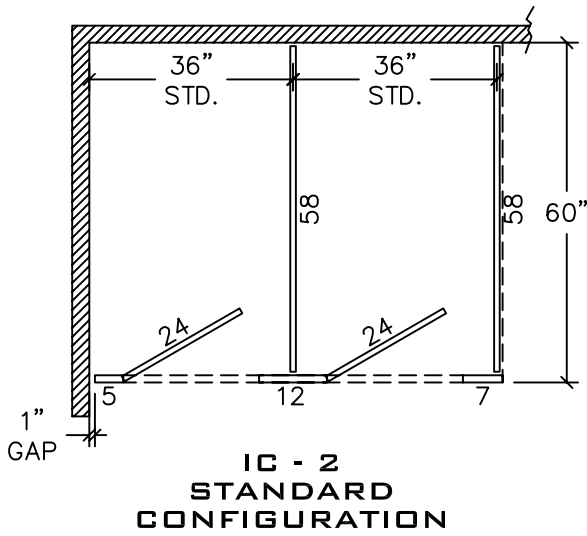
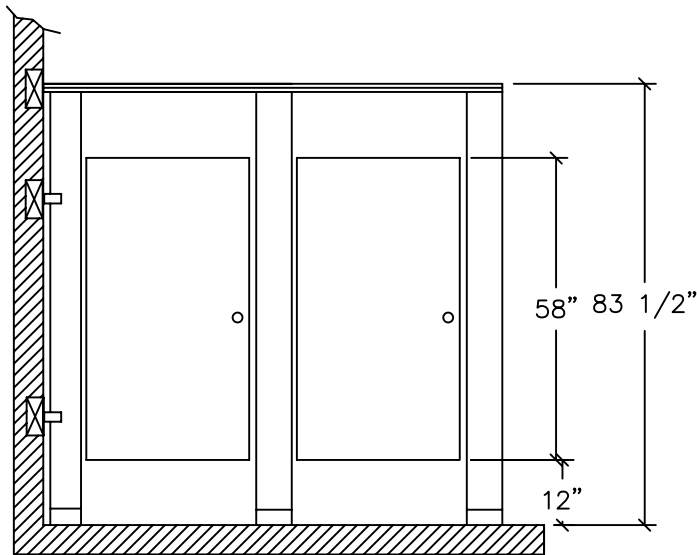
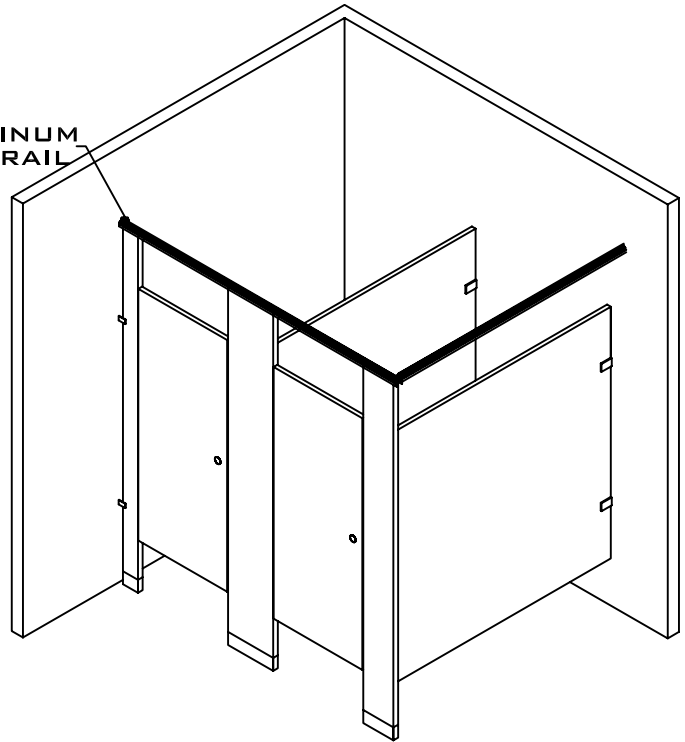


**DETAILS**

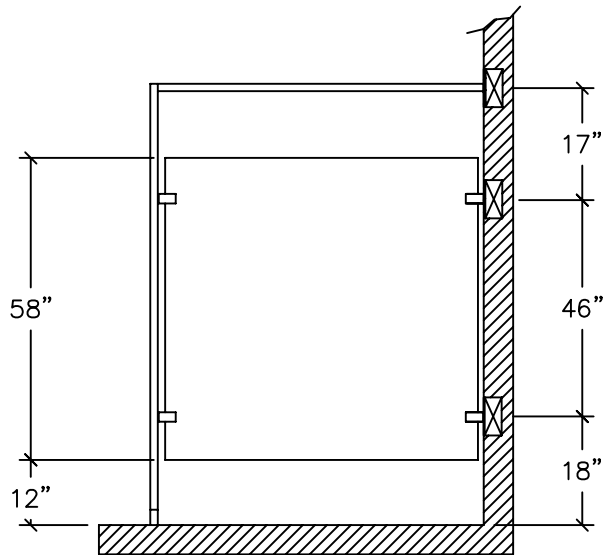
**STAINLESS STEEL  
FLOOR ANCHORED /  
OVERHEAD BRACED  
3.4**



**ALUMINUM  
HEADRAIL**



**FRONT ELEVATION**



**SIDE ELEVATION**

 **BLOCKING IN WALL BY OTHERS**

REV 12/04

**Accurate**  
Accurate Partitions Corp.

**STAINLESS STEEL  
FLOOR ANCHORED /  
OVERHEAD BRACED /  
NOT TO SCALE**