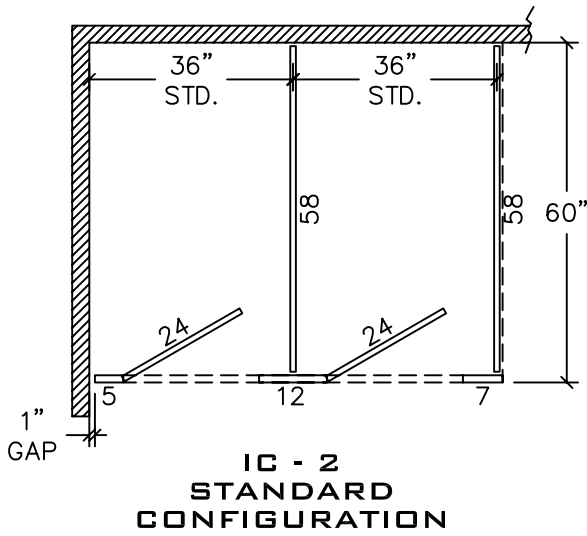
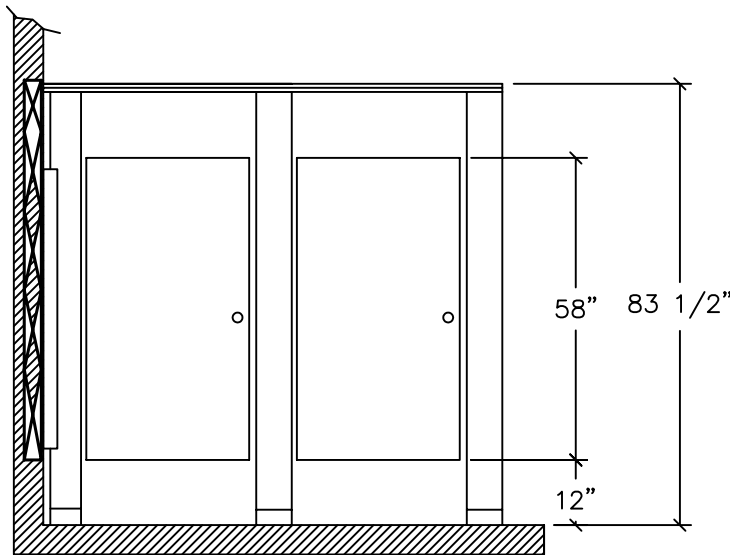
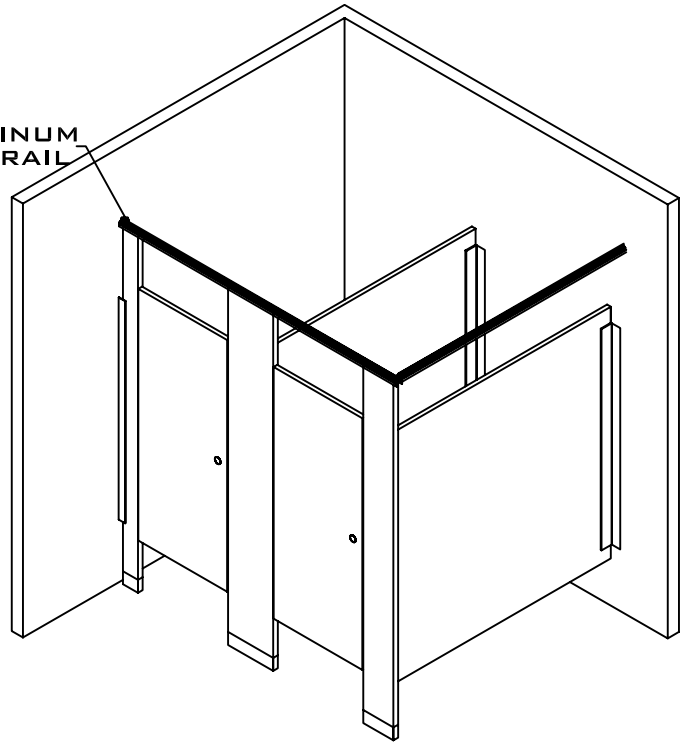


DETAILS

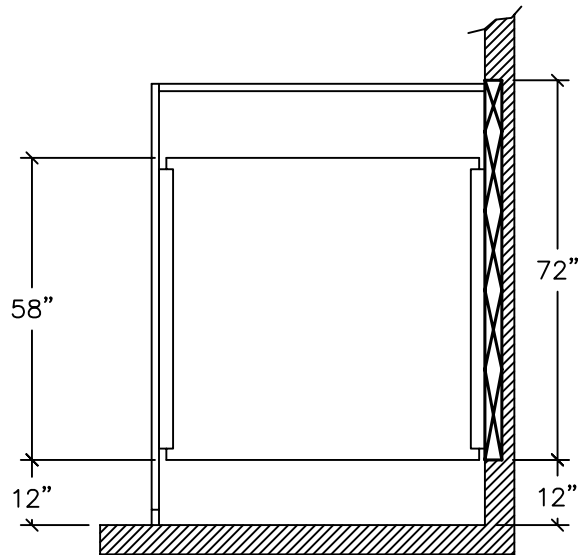
**STAINLESS STEEL
FLOOR ANCHORED /
OVERHEAD BRACED
3.4A**



**ALUMINUM
HEADRAIL**



FRONT ELEVATION



SIDE ELEVATION

 **BLOCKING IN WALL BY OTHERS**

REV 12/04

Accurate
Accurate Partitions Corp.

**STAINLESS STEEL
FLOOR ANCHORED /
OVERHEAD BRACED
NOT TO SCALE**