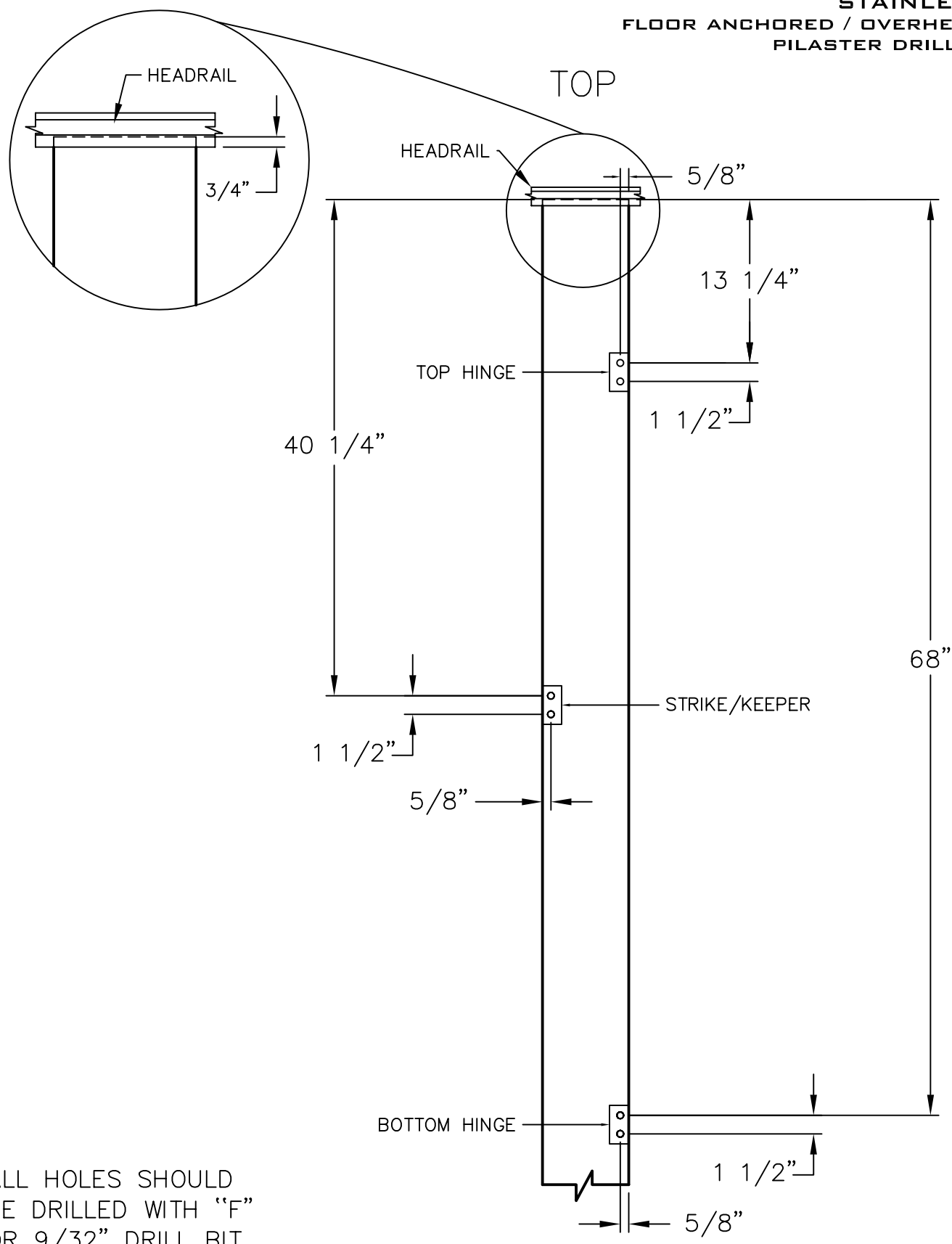


STAINLESS STEEL
FLOOR ANCHORED / OVERHEAD BRACED
PILASTER DRILLING DETAIL
3.5D



ALL HOLES SHOULD
BE DRILLED WITH "F"
OR 9/32" DRILL BIT

REV 12/04