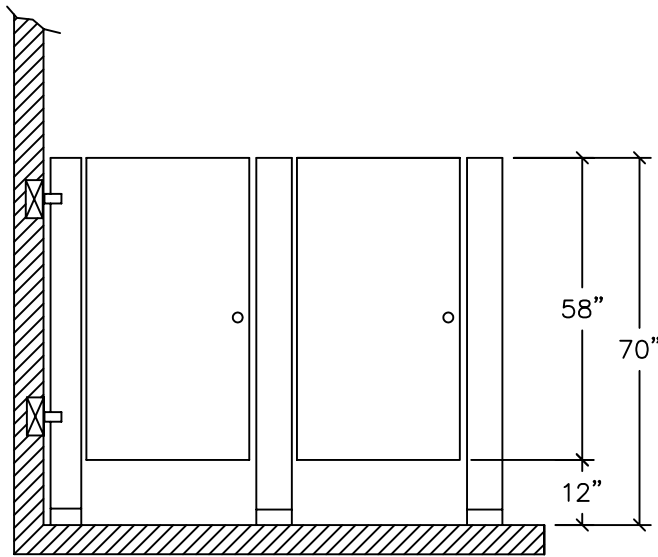
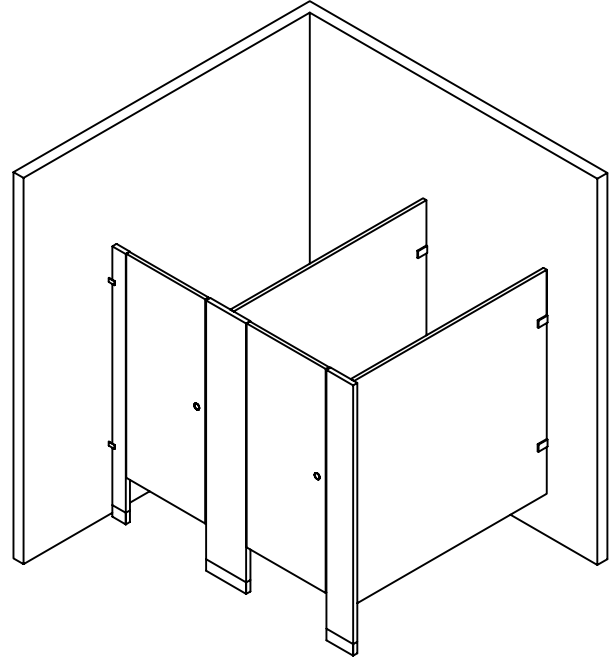
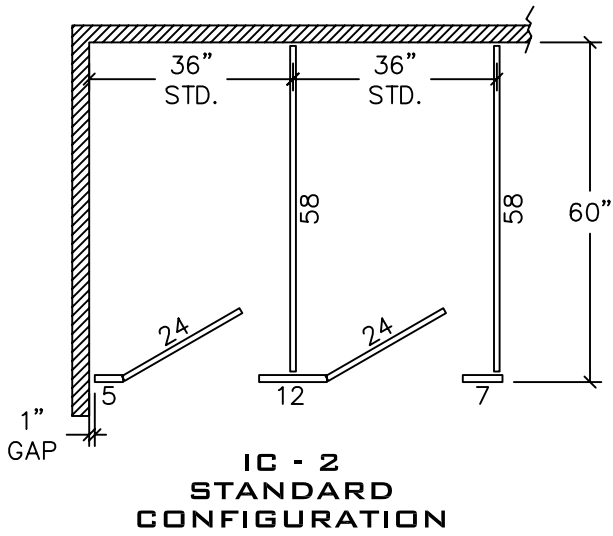
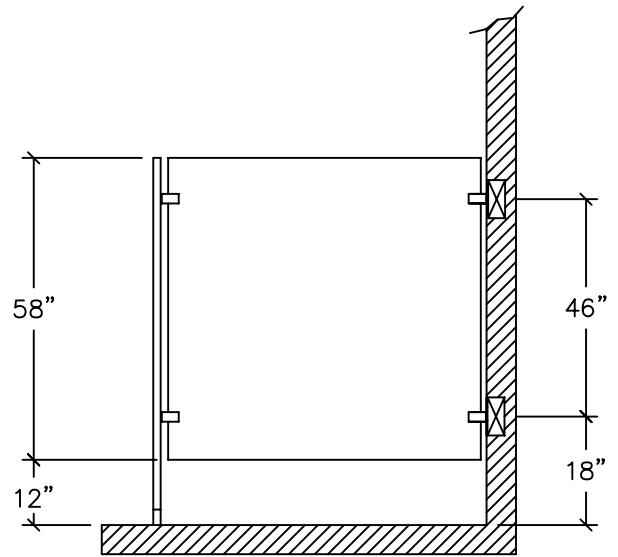


**STAINLESS STEEL  
FLOOR ANCHORED  
3.7**



**FRONT ELEVATION**



**SIDE ELEVATION**

 **BLOCKING IN WALL BY OTHERS**

REV 12/04