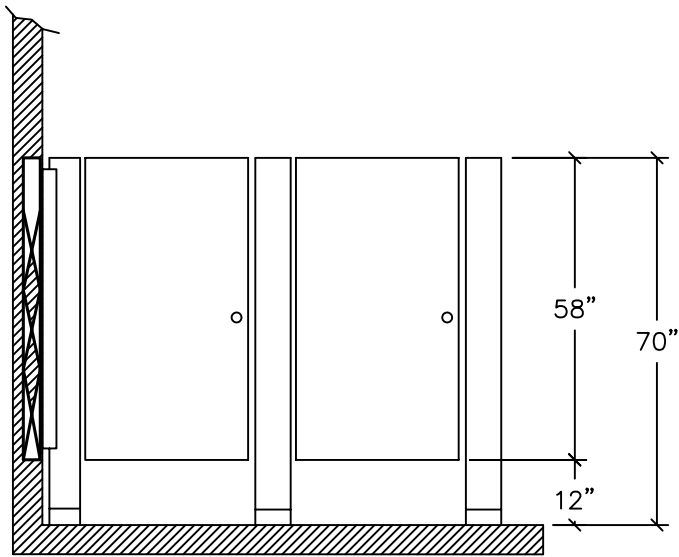
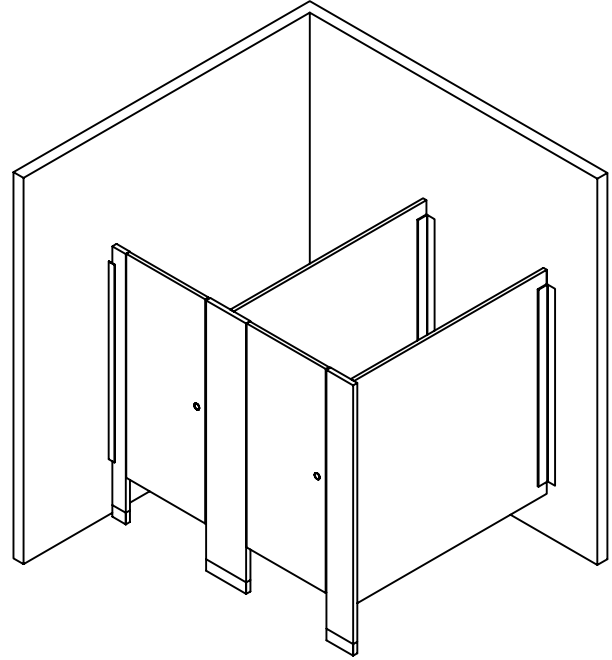
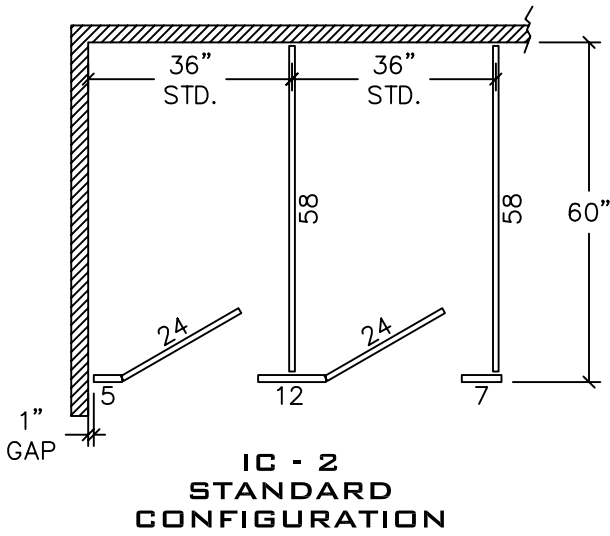
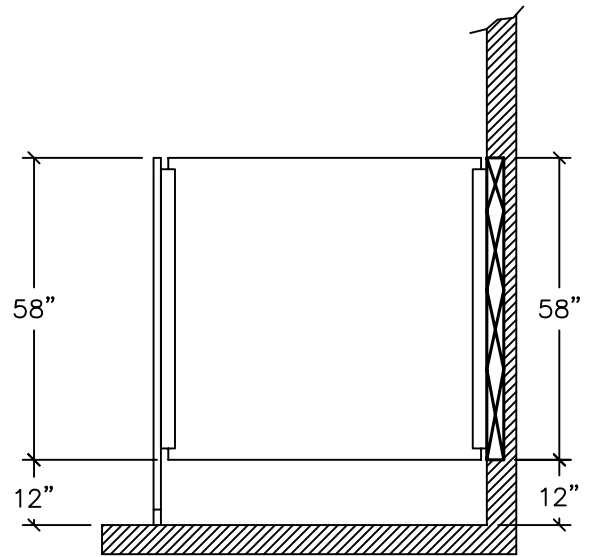


**DETAILS**

**STAINLESS STEEL  
FLOOR ANCHORED  
3.7A**



**FRONT ELEVATION**



**SIDE ELEVATION**

 **BLOCKING IN WALL BY OTHERS**

REV 12/04

**Accurate**  
Accurate Partitions Corp.

**STAINLESS STEEL  
FLOOR MOUNTED  
NOT TO SCALE**