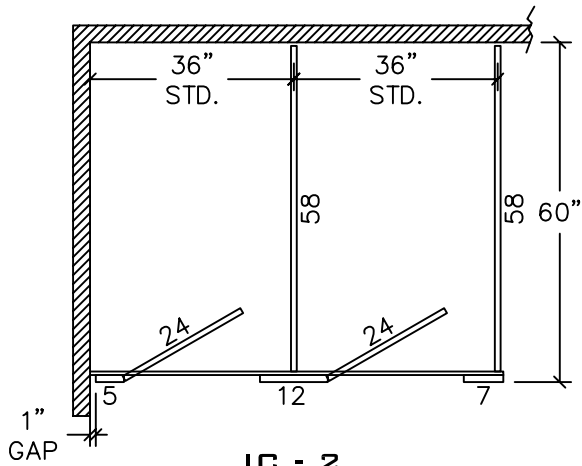
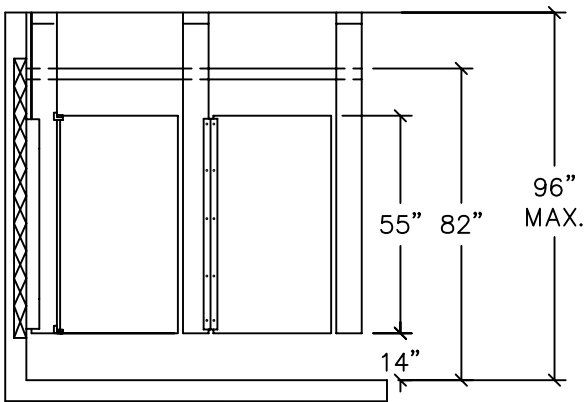
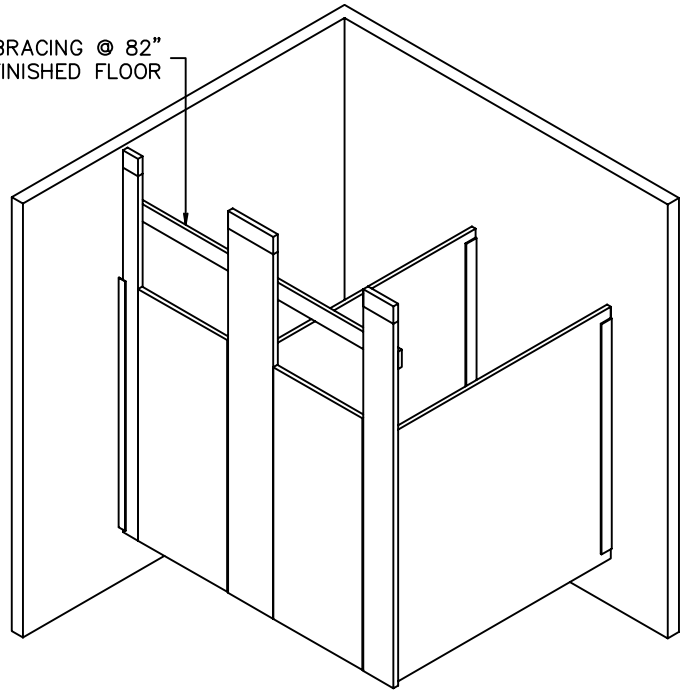


**SOLID PLASTIC
CEILING ANCHORED
4.10**

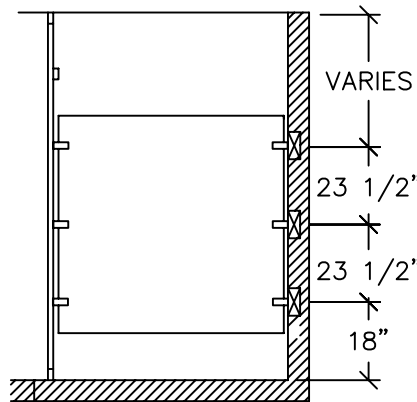


**IC - 2
STANDARD
CONFIGURATION**

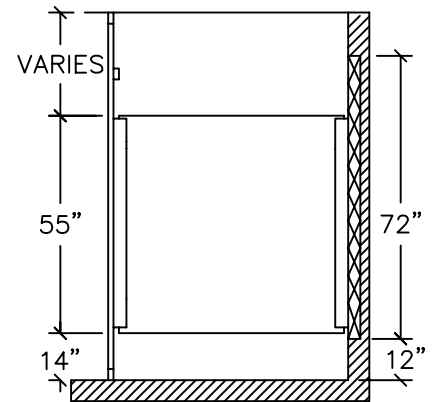
4" BRACING @ 82"
ABOVE FINISHED FLOOR



**VAULT FULL HEIGHT
HINGE HINGE
FRONT ELEVATION**



**SIDE ELEVATION
STIRRUP
BRACKETS**



**SIDE ELEVATION
FULL HEIGHT
BRACKETS**

 **BLOCKING IN WALL BY OTHERS**

REV 12/04