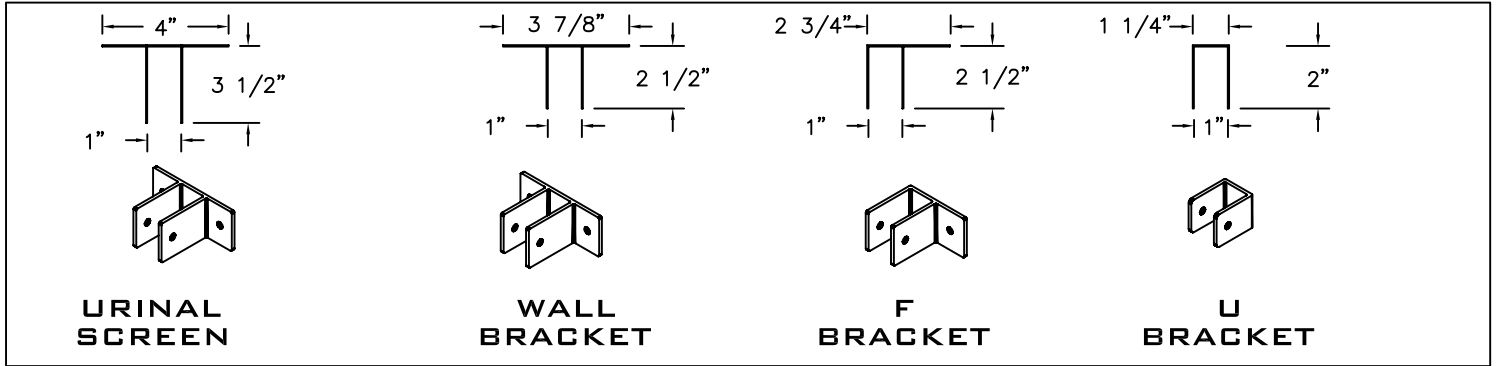
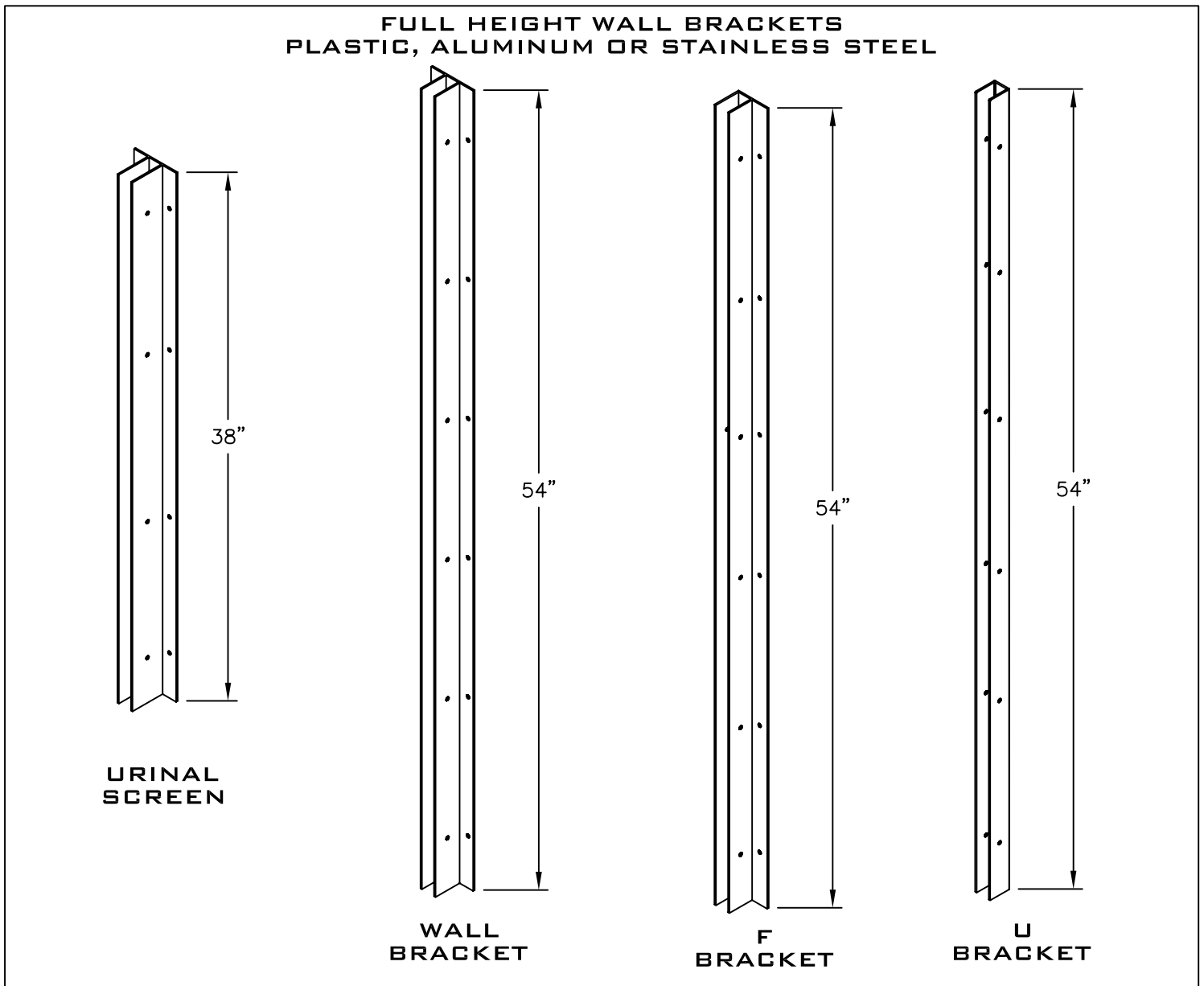


STIRRUP BRACKETS
ALUMINUM



FULL HEIGHT WALL BRACKETS
PLASTIC, ALUMINUM OR STAINLESS STEEL



REV 12/04