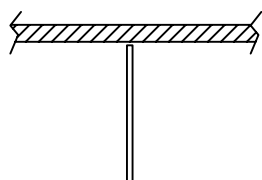
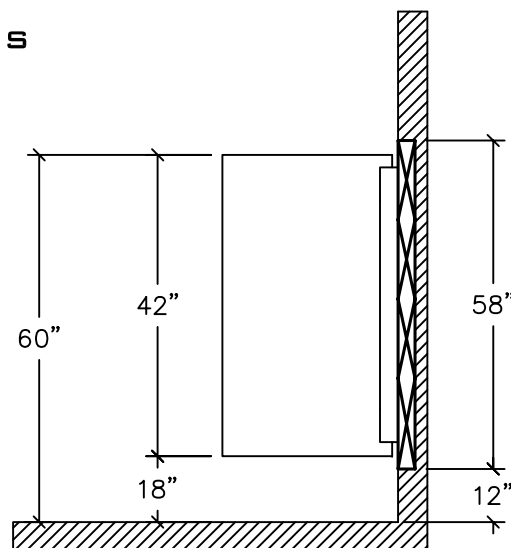
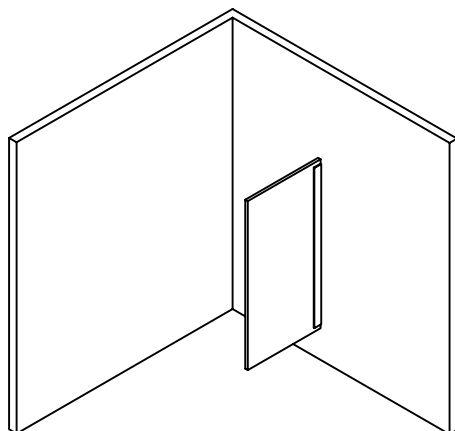


**SOLID PLASTIC
URINAL AND SIGHT SCREENS
4.15**

WALL HUNG URINAL SCREENS



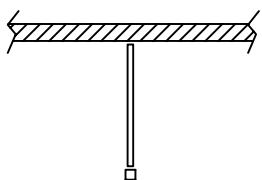
**WALL HUNG
SCREEN**



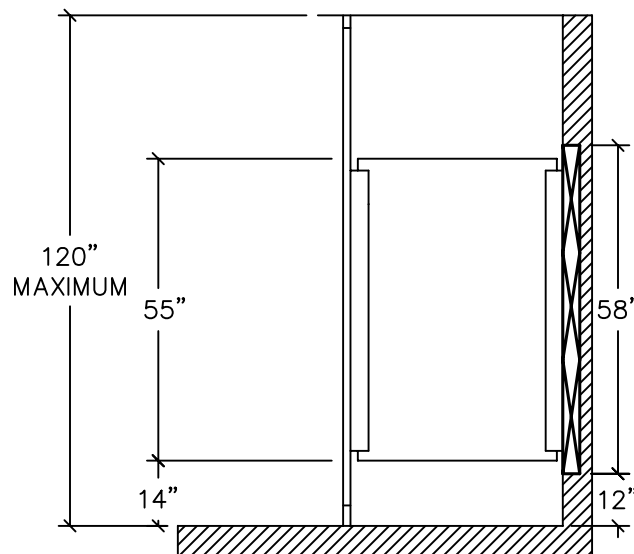
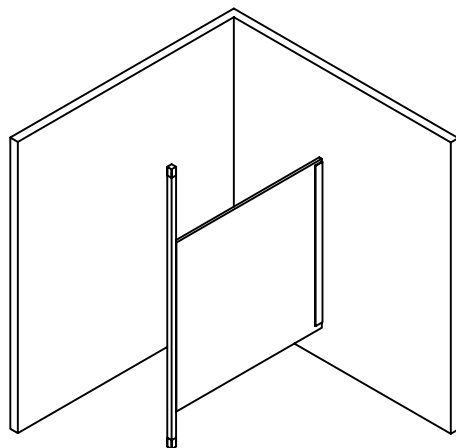
SIDE ELEVATION

**AVAILABLE IN 4 STANDARD SIZES, 12" X 42", 18" X 42", 24" X 42", OR
30" X 42"; STAINLESS STEEL, ALUMINUM STIRRUP BRACKETS,
FULL HEIGHT PLASTIC, ALUMINUM OR STAINLESS STEEL BRACKETS**

**FLOOR-TO-CEILING SCREENS
WITH 1 3/4" X 1 3/4" ALUMINUM POST**



**1 3/4" X 1 3/4"
POST**



SIDE ELEVATION

**SITE SCREEN ABOVE IS 55" HIGH BY DEPTH REQUIRED
AVAILABLE WITH STAINLESS STEEL, ALUMINUM
STIRRUP BRACKETS, FULL HEIGHT PLASTIC,
ALUMINUM OR STAINLESS STEEL BRACKETS**

 **BLOCKING IN WALL BY OTHERS**

REV 12/04