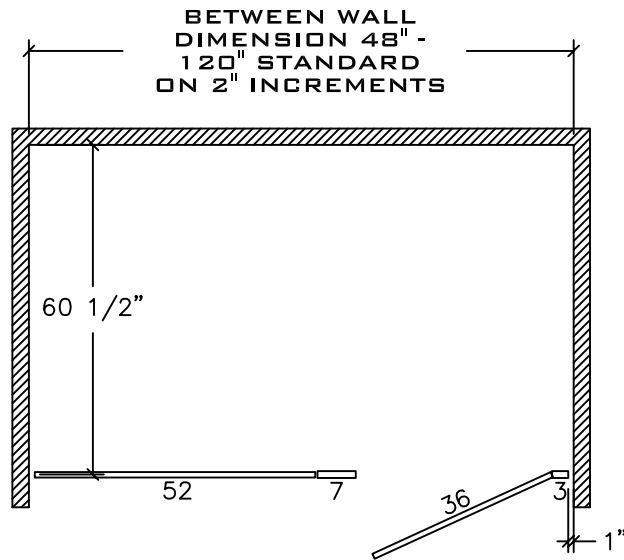
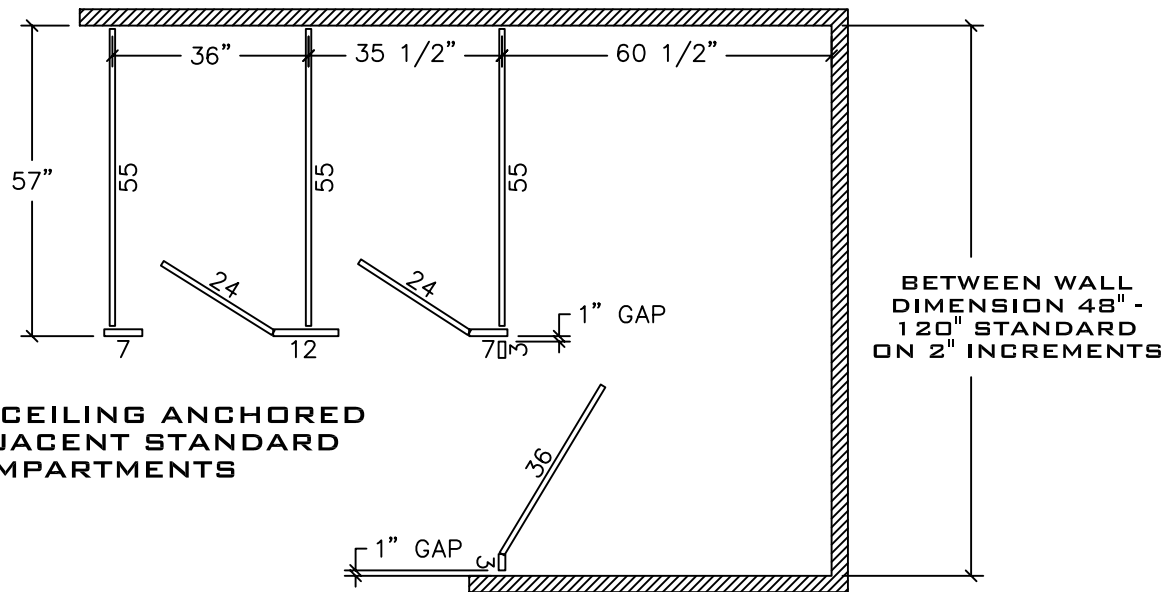


DETAILS

**SOLID PLASTIC
FLOOR-TO-CEILING
TYPICAL ALCOVE
LAYOUTS
4.2B**



FLOOR-TO-CEILING



**FLOOR-TO-CEILING ANCHORED
WITH ADJACENT STANDARD
COMPARTMENTS**

REV 12/04