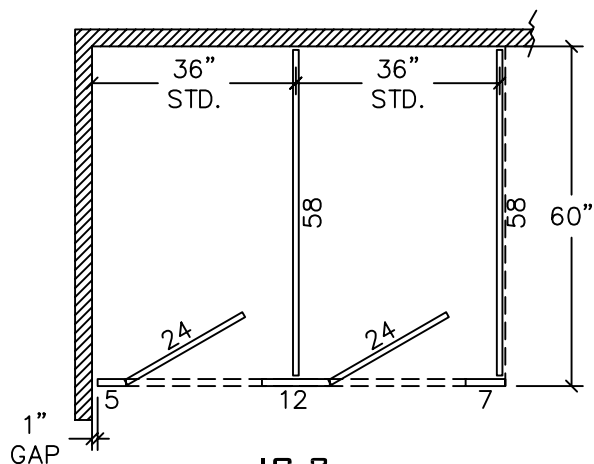
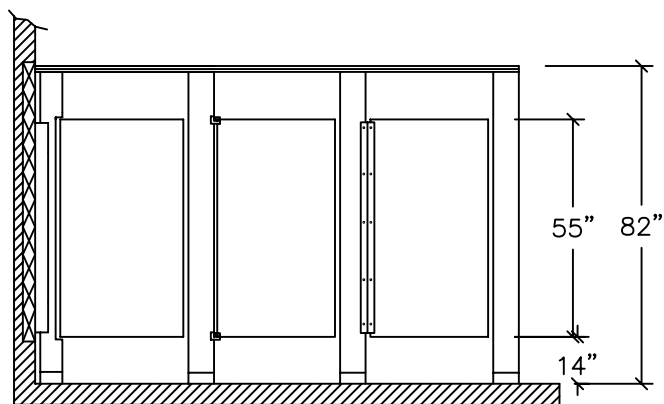
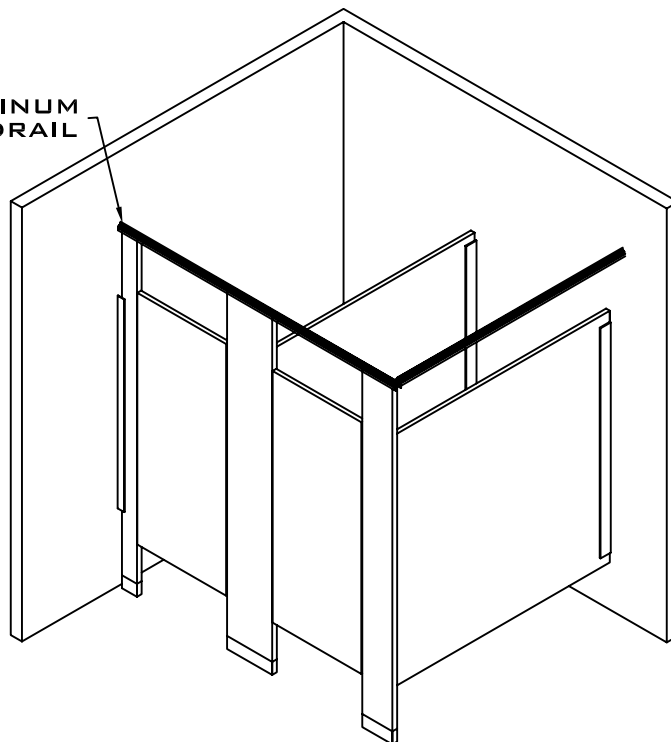


SOLID PLASTIC
FLOOR ANCHORED /
OVERHEAD BRACED
4.4



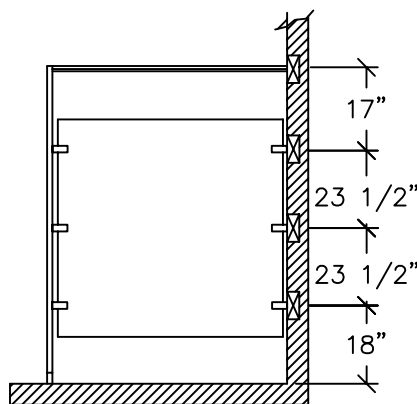
IC-2
STANDARD
CONFIGURATION

ALUMINUM
HEADRAIL

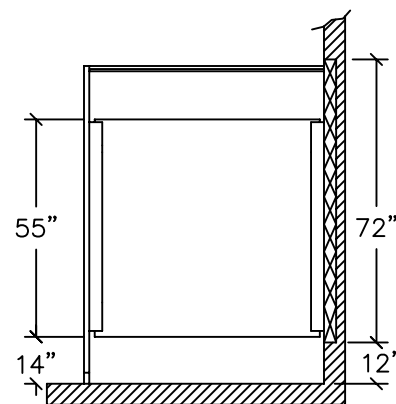


INTEGRAL HINGE VAULT HINGE FULL HEIGHT HINGE

FRONT ELEVATION



SIDE ELEVATION
STIRRUP
BRACKETS



SIDE ELEVATION
FULL HEIGHT
BRACKETS

☒ BLOCKING IN WALL BY OTHERS

REV 12/04