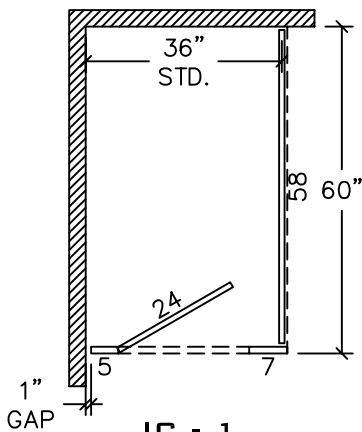
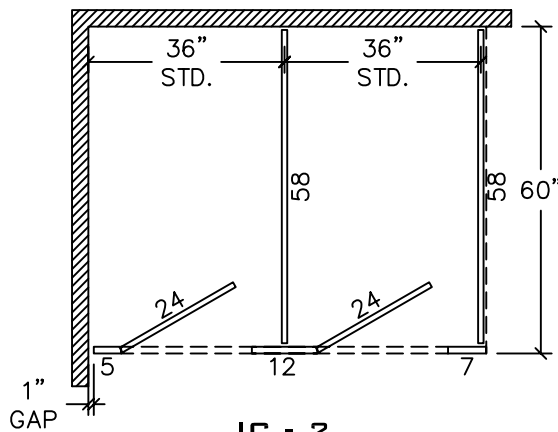


**DETAILS**

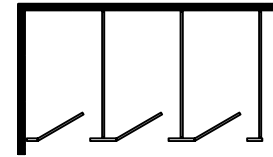
**PLASTIC LAMINATE  
TYPICAL IN-CORNER  
LAYOUTS  
5.0**



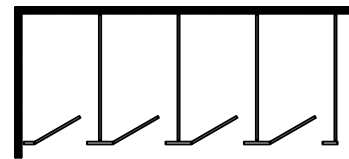
**IC - 1  
STANDARD  
CONFIGURATION**



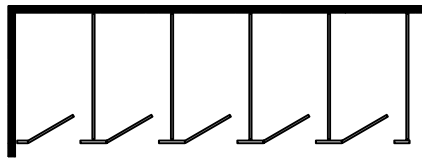
**IC - 2  
STANDARD  
CONFIGURATION**



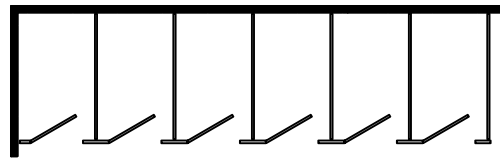
**IC-3**



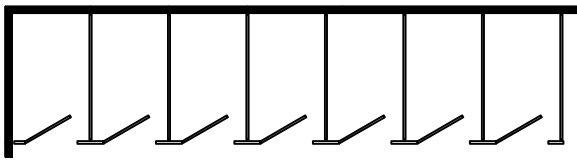
**IC-4**



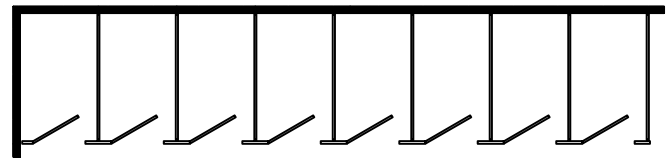
**IC-5**



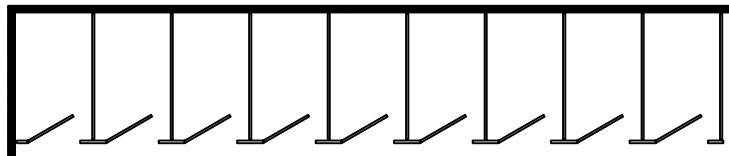
**IC-6**



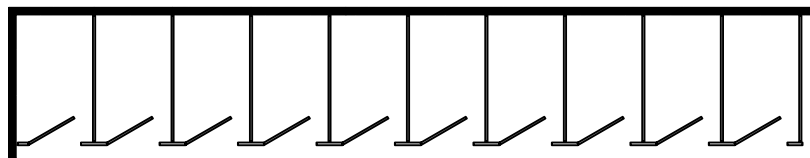
**IC-7**



**IC-8**



**IC-9**



**IC-10**

REV 12/04