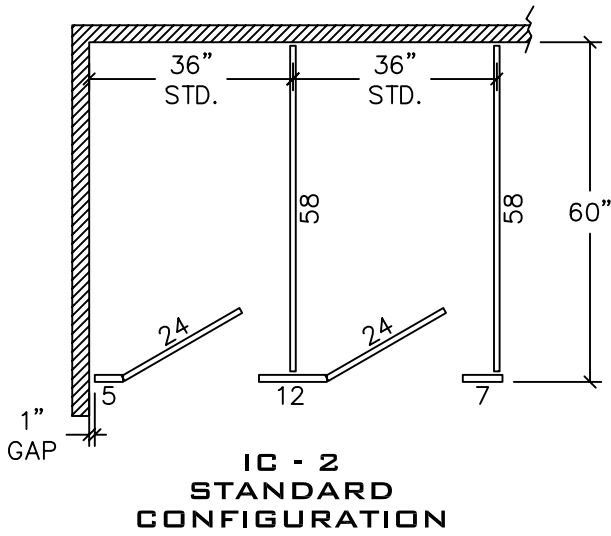
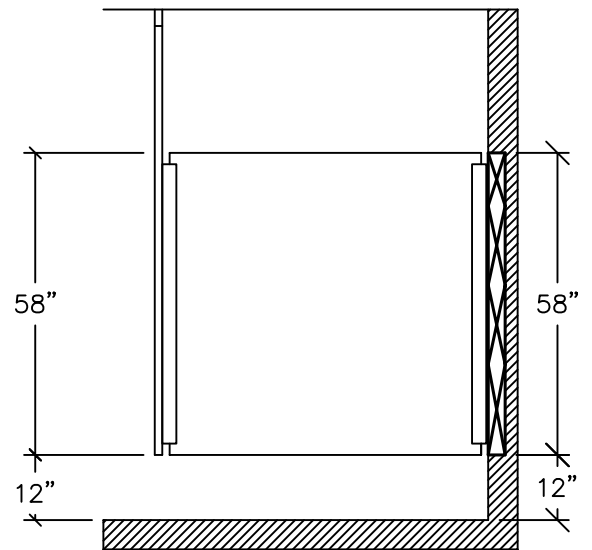
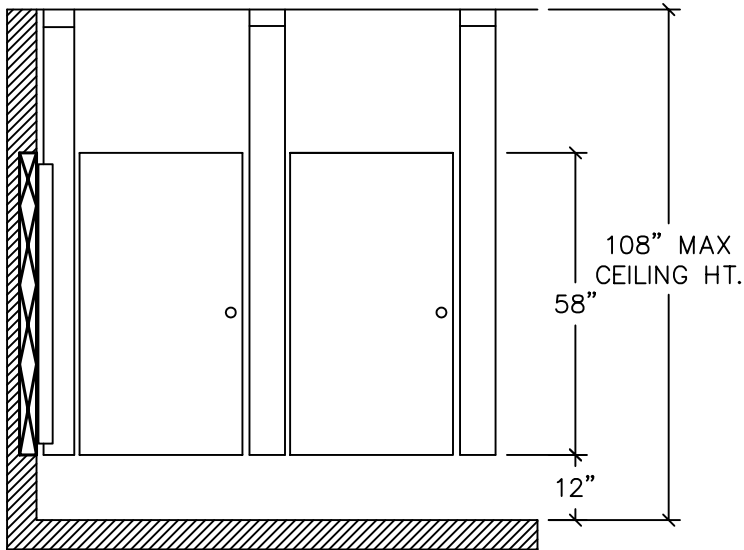
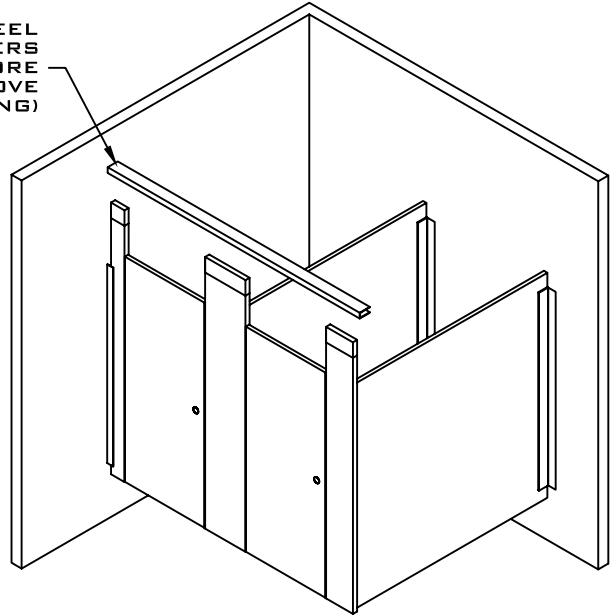


**PLASTIC LAMINATE  
CEILING HUNG  
5.10A**



STRUCTURAL STEEL  
BY OTHERS  
(LOCATED NO MORE  
THAN 2 1/2" ABOVE  
FINISHED CEILING)



 **BLOCKING IN WALL BY OTHERS**

REV 12/04