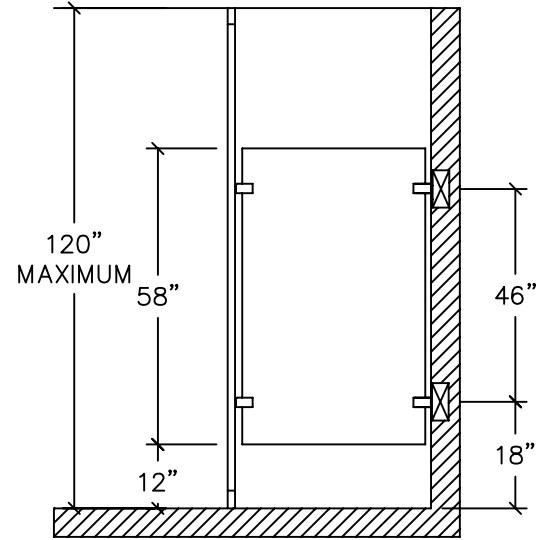
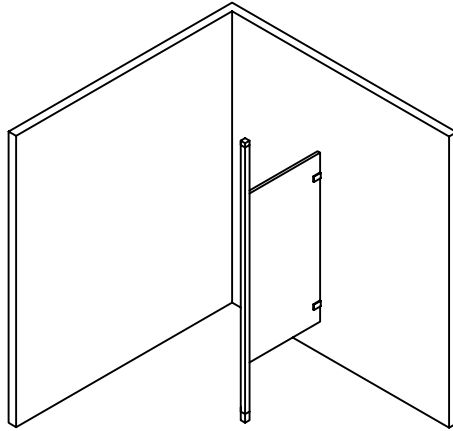
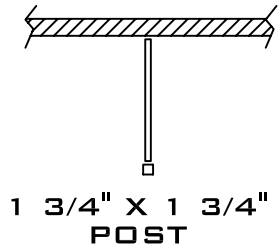


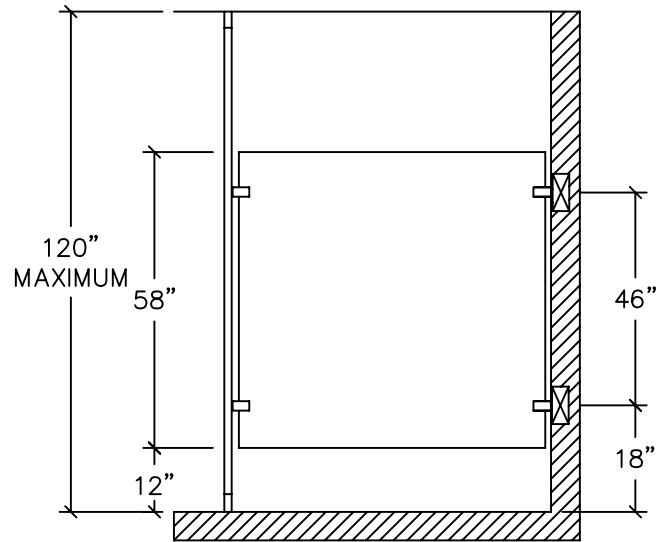
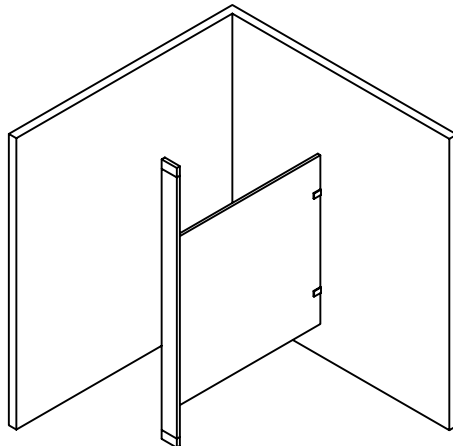
**PLASTIC LAMINATE
URINAL AND SIGHT SCREENS
5.18**

**FLOOR TO CEILING SCREENS
WITH ALUMINUM 1 3/4" X 1 3/4" POST**



SIDE ELEVATION

**FLOOR TO CEILING SCREENS
WITH PLASTIC LAMINATE PILASTER**



SIDE ELEVATION

**SIGHT SCREENS ABOVE ARE 58" HIGH BY DEPTH REQUIRED
AVAILABLE WITH CHROME PLATED ZAMAC, STAINLESS STEEL
STIRRUP BRACKETS, FULL HEIGHT ALUMINUM OR
STAINLESS STEEL BRACKETS**

 **BLOCKING IN WALL BY OTHERS**

REV 12/04