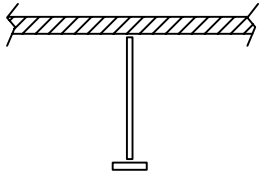


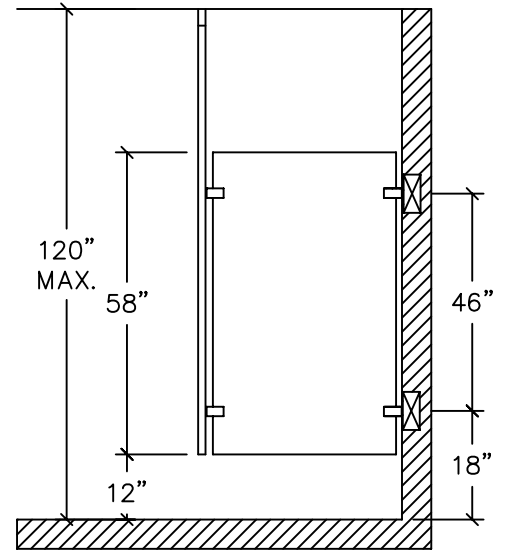
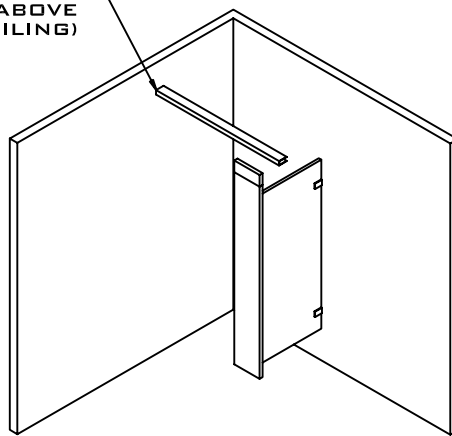
**PLASTIC LAMINATE
URINAL AND SIGHT SCREENS
5.19**

CEILING HUNG SCREENS

STRUCTURAL STEEL
BY OTHERS
(LOCATED NO MORE
THAN 2 1/2" ABOVE
FINISHED CEILING)

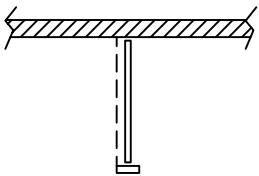


**MINIMUM 6"
CEILING HUNG
PILASTER**

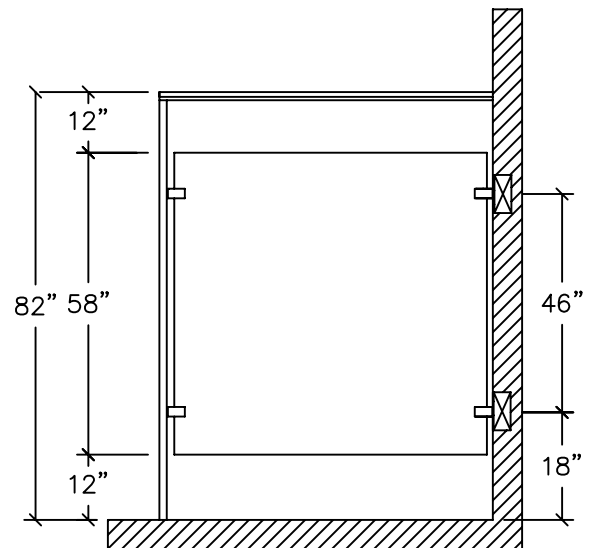
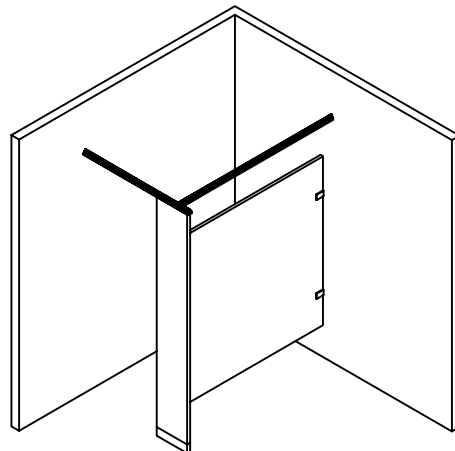


SIDE ELEVATION

**FLOOR ANCHORED / OVERHEAD BRACED
SCREEN**



**MINIMUM 4"
PILASTER**



SIDE ELEVATION

**CEILING HUNG AND FLOOR ANCHORED / OVERHEAD BRACED SCREENS
ARE AVAILABLE WITH CHROME PLATED ZAMAC STIRRUP BRACKETS,
FULL HEIGHT ALUMINUM OR STAINLESS STEEL BRACKETS**

BLOCKING IN WALL BY OTHERS

REV 12/04