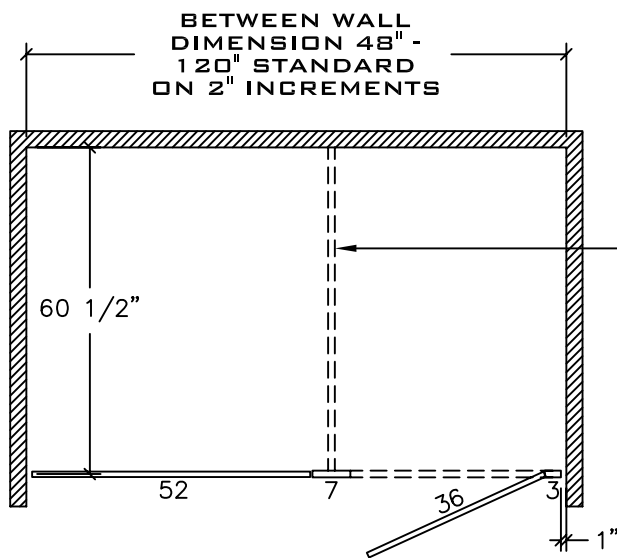
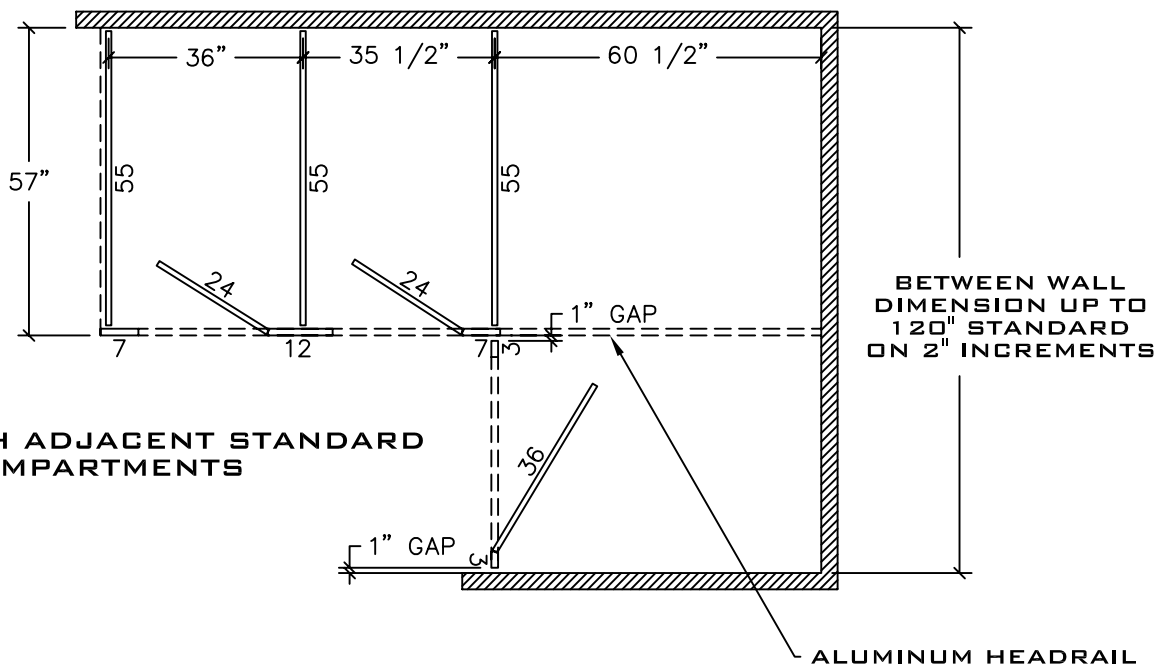


DETAILS

**PLASTIC LAMINATE
FLOOR ANCHORED /
OVERHEAD BRACED
TYPICAL ALCOVE
LAYOUTS
5.2A**



SINGLE ALCOVE



ALCOVE WITH ADJACENT STANDARD COMPARTMENTS

REV 12/04