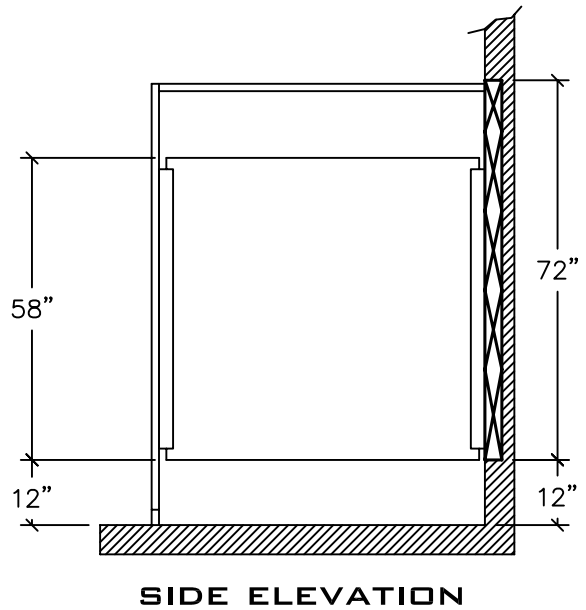
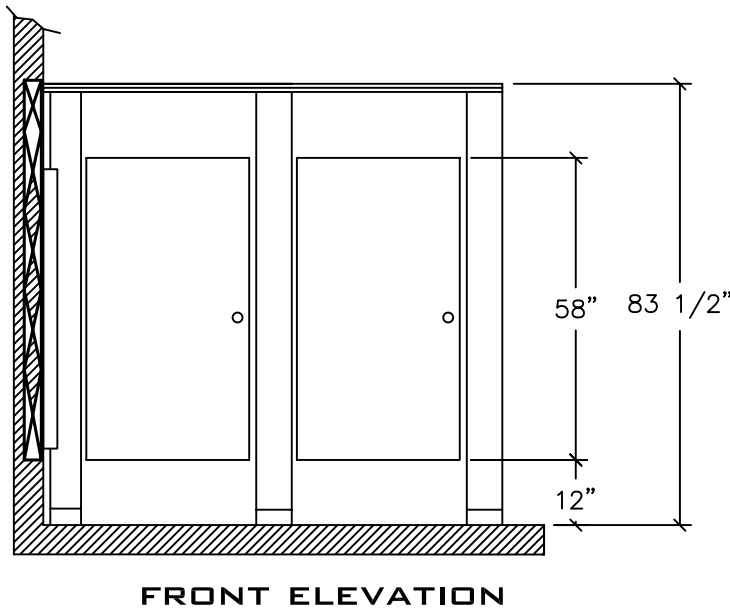
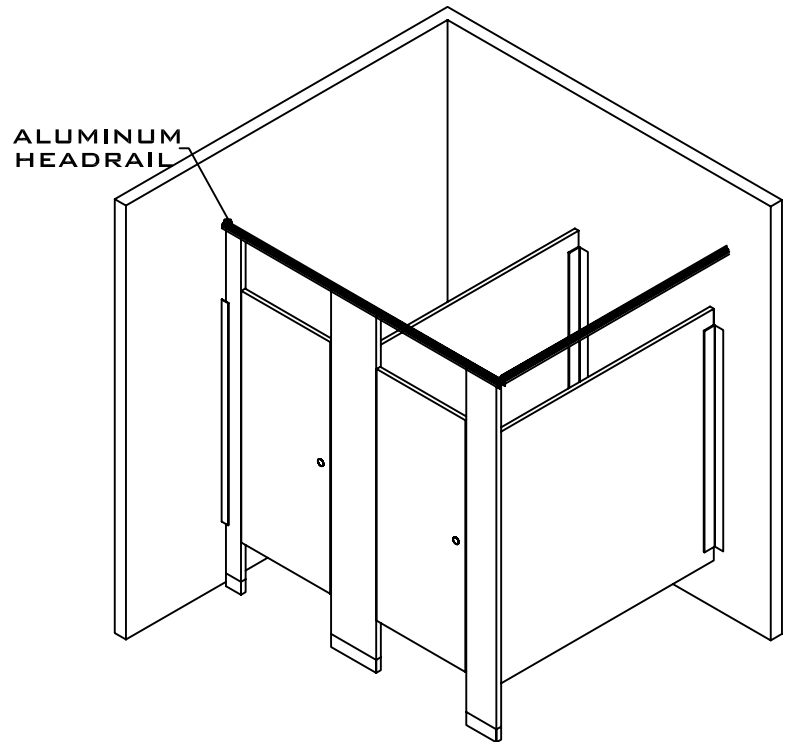
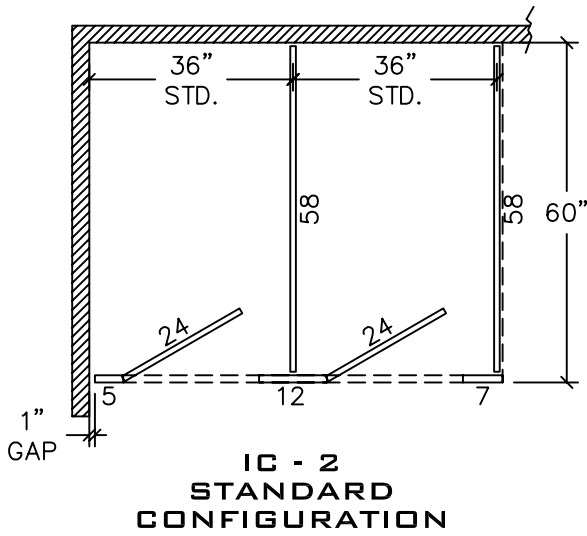


**DETAILS**

**PLASTIC LAMINATE  
FLOOR ANCHORED /  
OVERHEAD BRACED  
5.4A**



 **BLOCKING IN WALL BY OTHERS**

REV 12/04

**Accurate**  
Accurate Partitions Corp.

**PLASTIC LAMINATE  
FLOOR ANCHORED /  
OVERHEAD BRACED  
NOT TO SCALE**