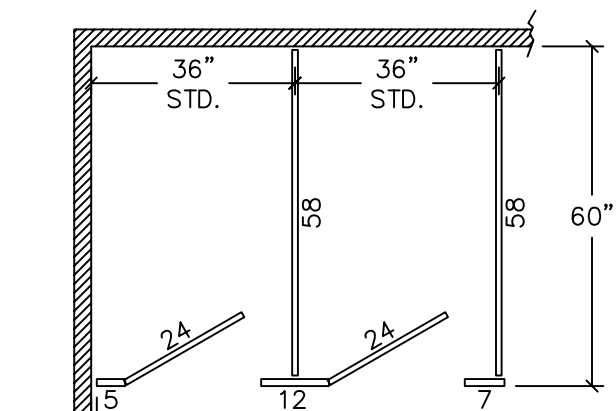
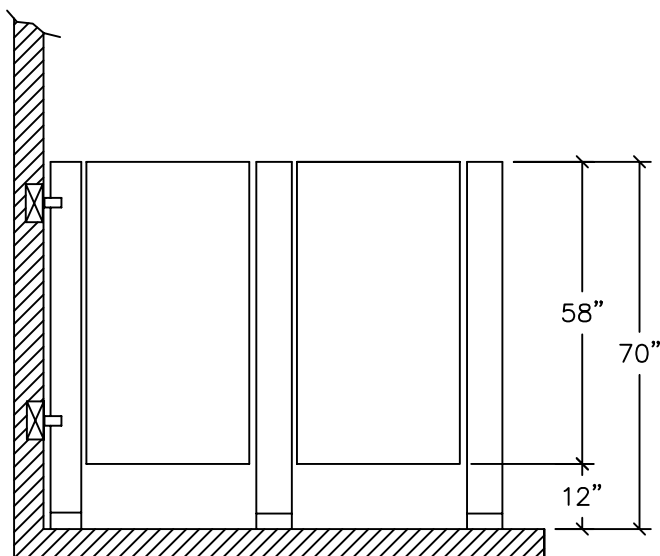
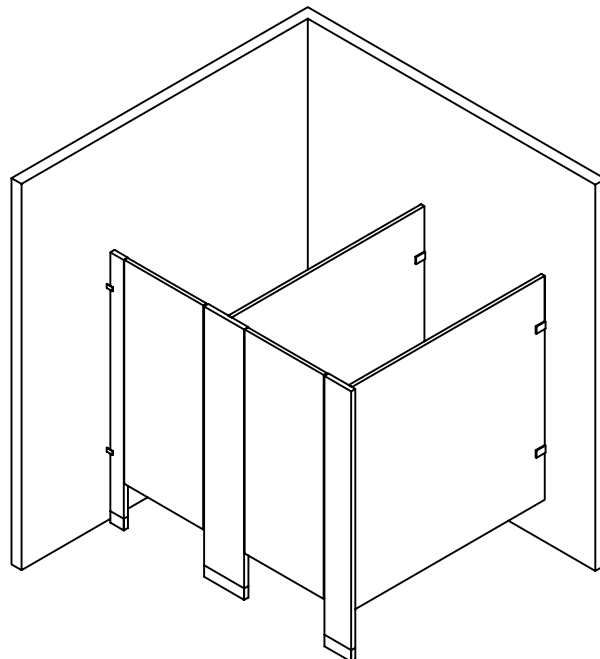


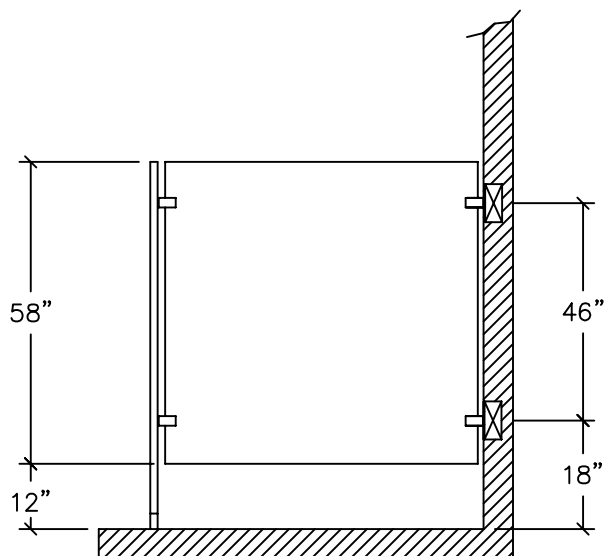
**PLASTIC LAMINATE  
FLOOR ANCHORED  
5.7**



**IC - 2  
STANDARD  
CONFIGURATION**



**FRONT ELEVATION**



**SIDE ELEVATION**

 **BLOCKING IN WALL BY OTHERS**

REV 12/04

**Accurate**  
Accurate Partitions Corp.

**PLASTIC LAMINATE  
FLOOR ANCHORED  
COMPARTMENTS  
NOT TO SCALE**