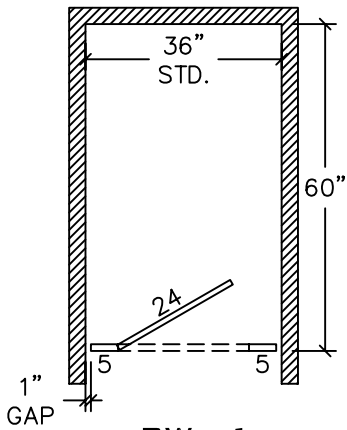
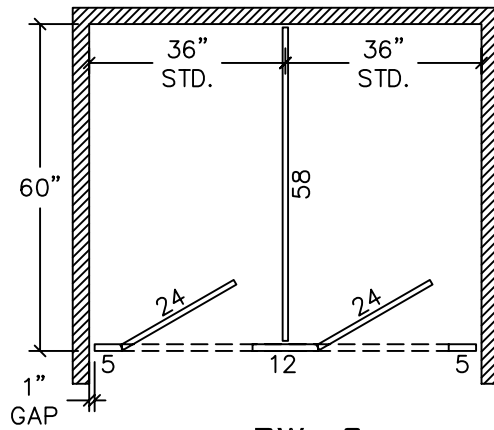


**DETAILS**

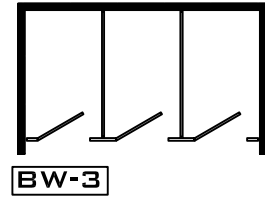
**PHENOLIC  
TYPICAL BETWEEN WALL  
LAYOUTS  
6.1**



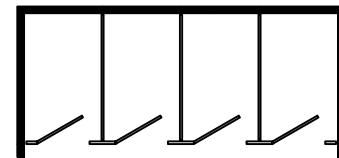
**BW - 1  
STANDARD  
CONFIGURATION**



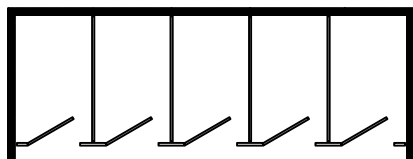
**BW - 2  
STANDARD  
CONFIGURATION**



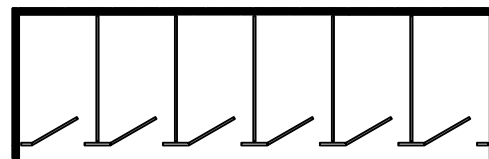
**BW-3**



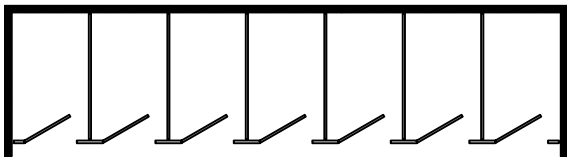
**BW-4**



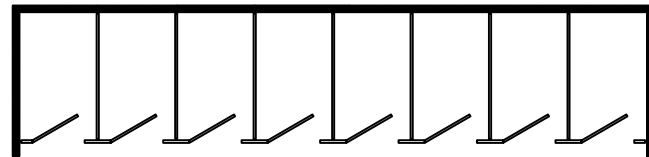
**BW-5**



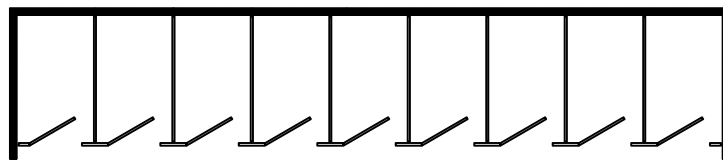
**BW-6**



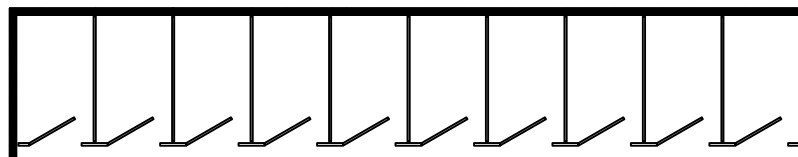
**BW-7**



**BW-8**



**BW-9**



**BW-10**

REV 12/04