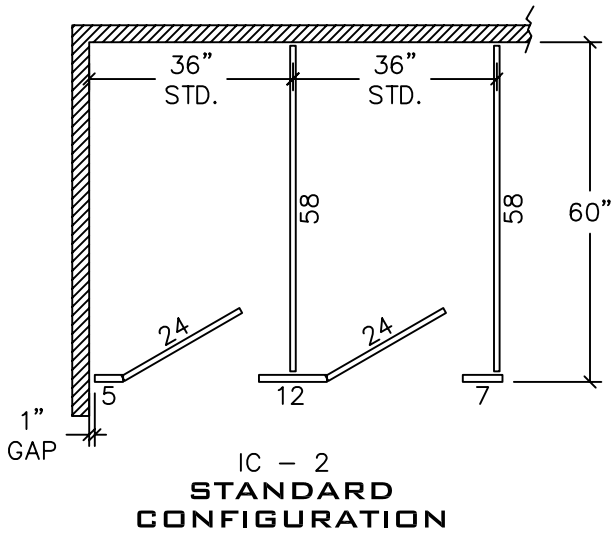
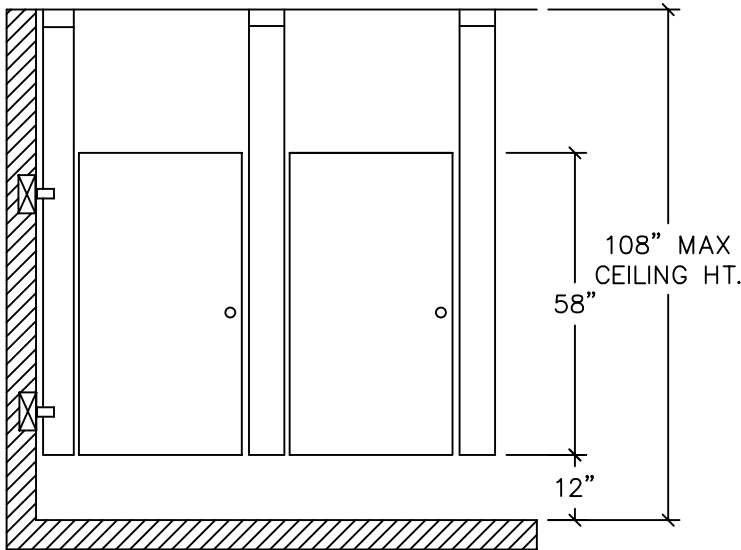
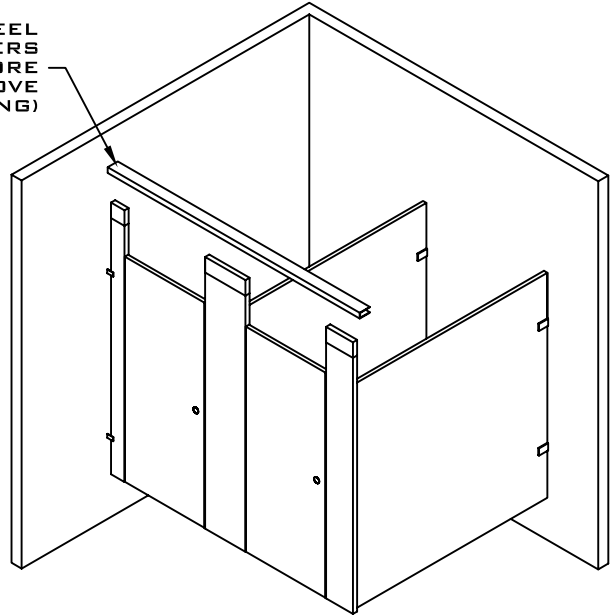


DETAILS

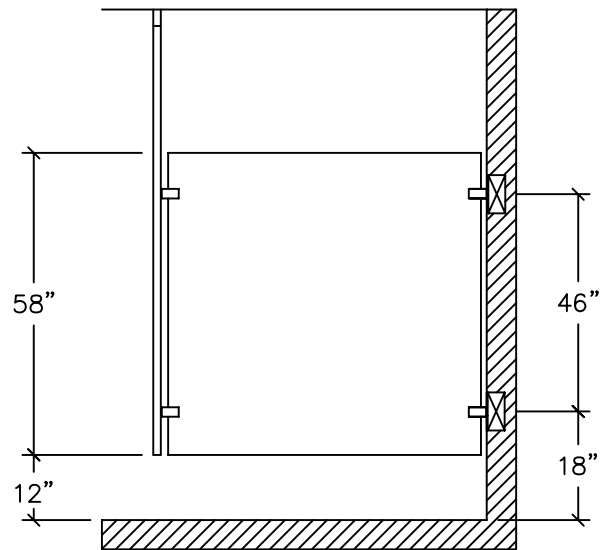
**PHENOLIC
CEILING HUNG
6.10**



STRUCTURAL STEEL
BY OTHERS
(LOCATED NO MORE
THAN 2 1/2" ABOVE
FINISHED CEILING)



FRONT ELEVATION



SIDE ELEVATION

BLOCKING IN WALL BY OTHERS

REV 12/04