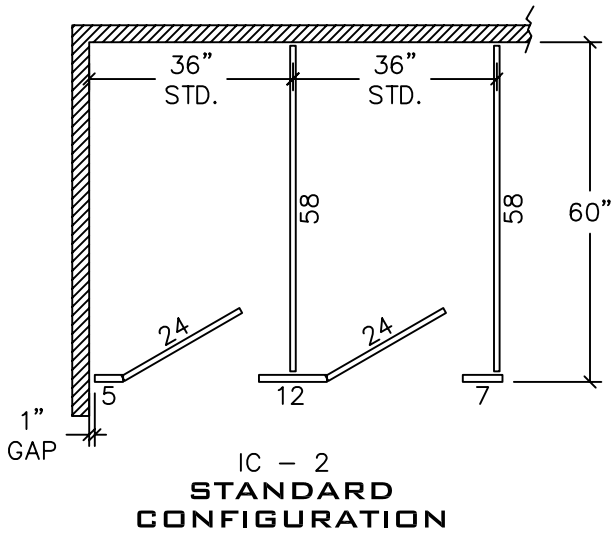
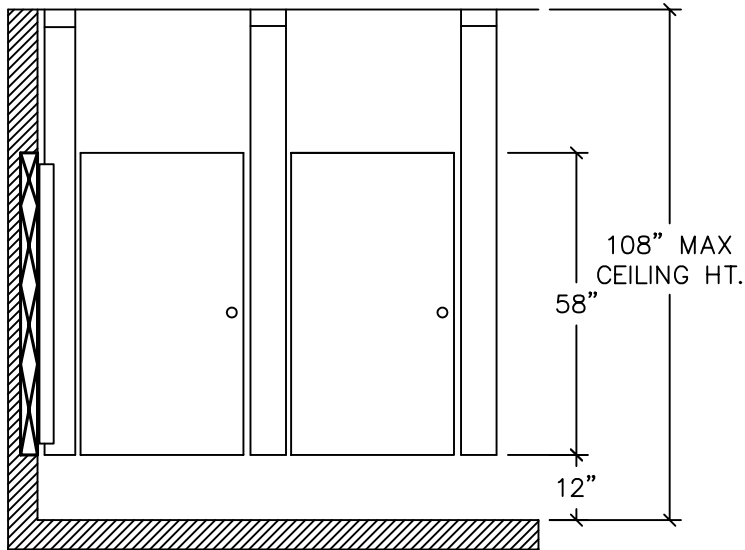
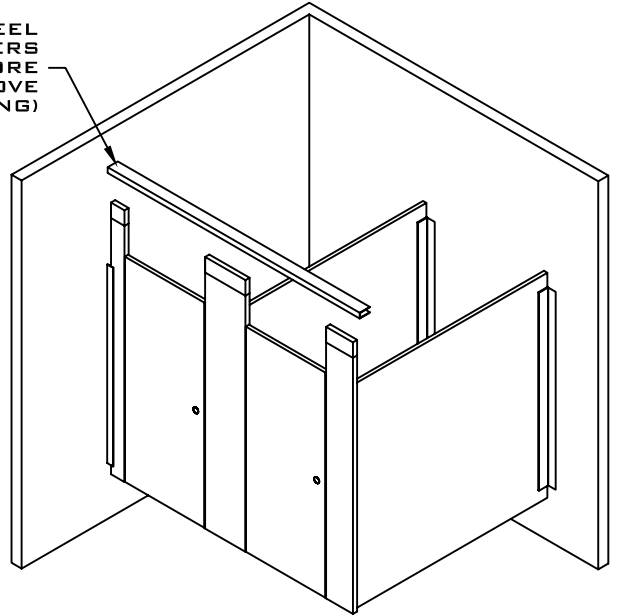


**DETAILS**

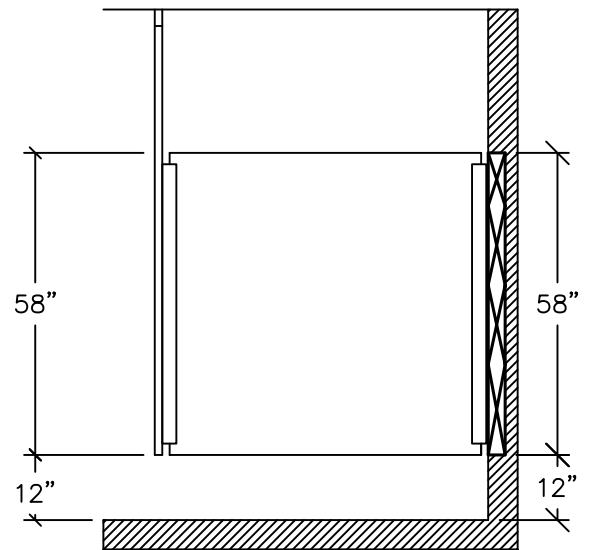
**PHENOLIC  
CEILING HUNG  
6.10A**



STRUCTURAL STEEL  
BY OTHERS  
(LOCATED NO MORE  
THAN 2 1/2" ABOVE  
FINISHED CEILING)



**FRONT ELEVATION**



**SIDE ELEVATION**

**BLOCKING IN WALL BY OTHERS**

REV 12/04