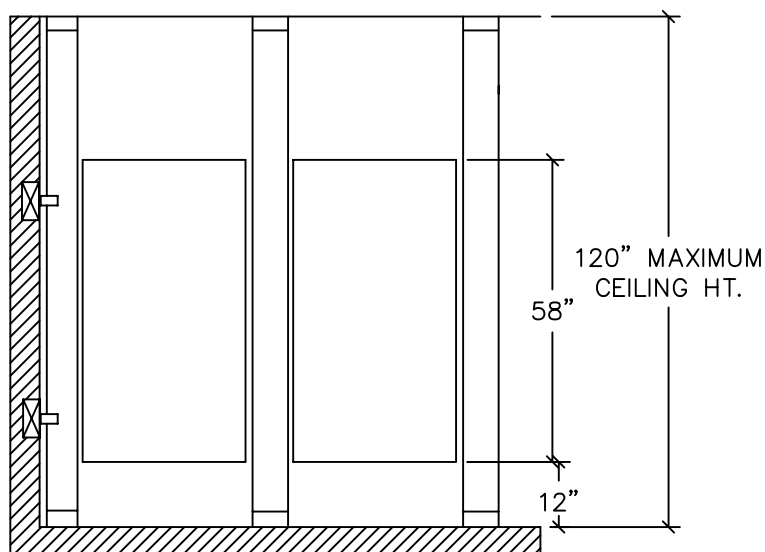
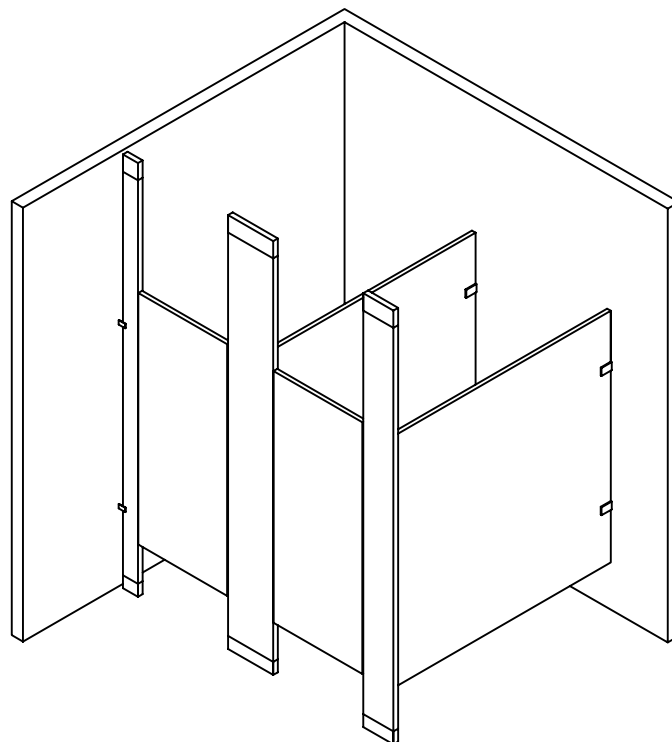
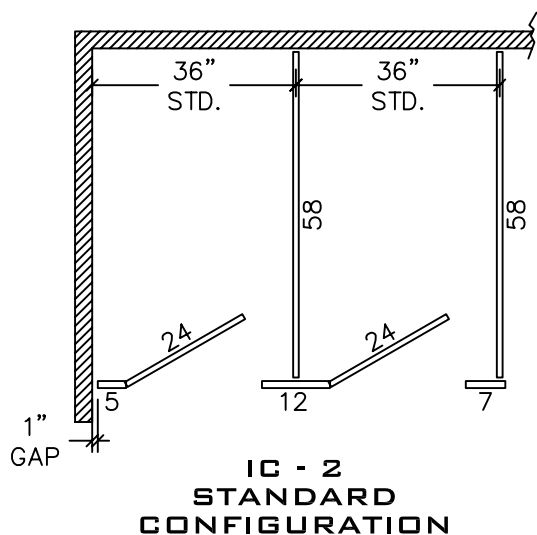
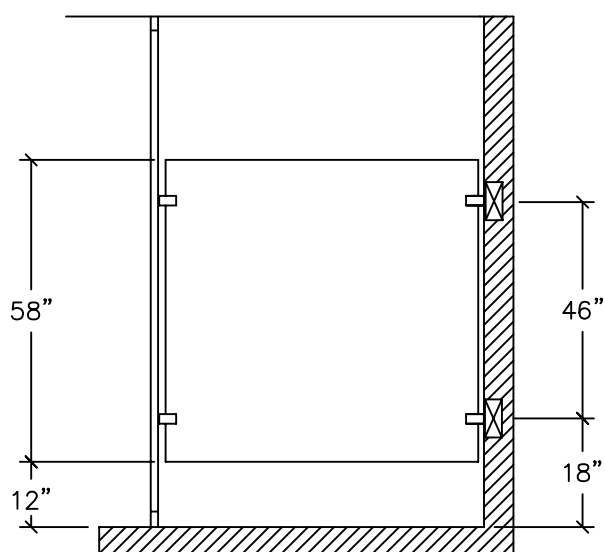


**PHENOLIC
FLOOR-TO-CEILING ANCHORED
6.13**



FRONT ELEVATION



SIDE ELEVATION

BLOCKING IN WALL BY OTHERS

REV 9/04