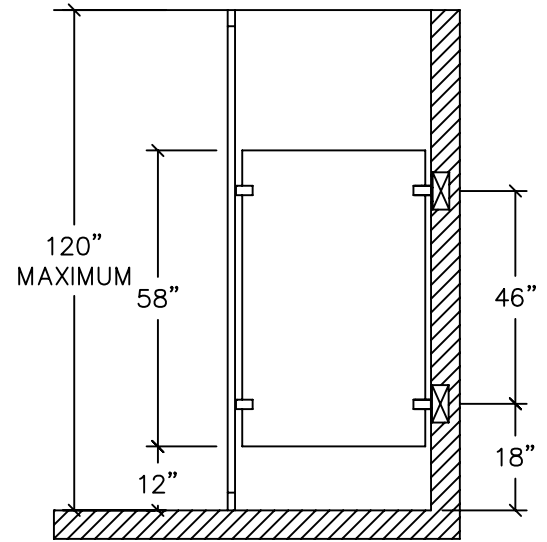
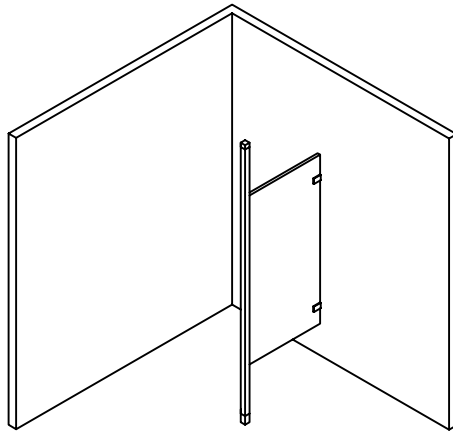
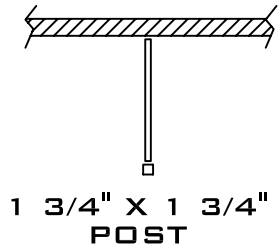


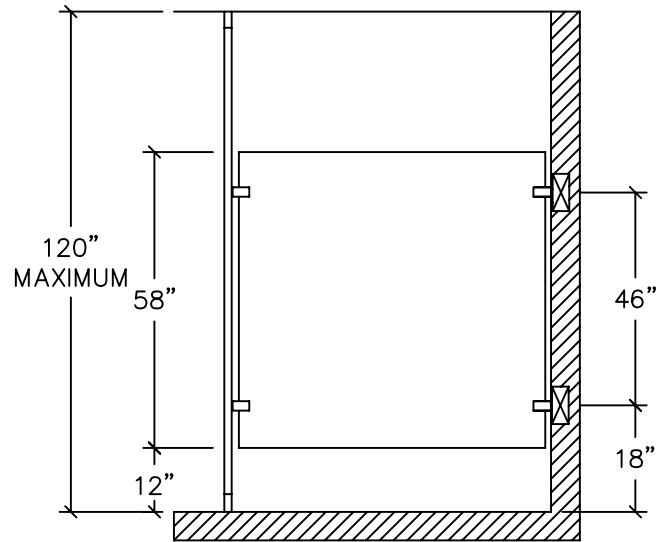
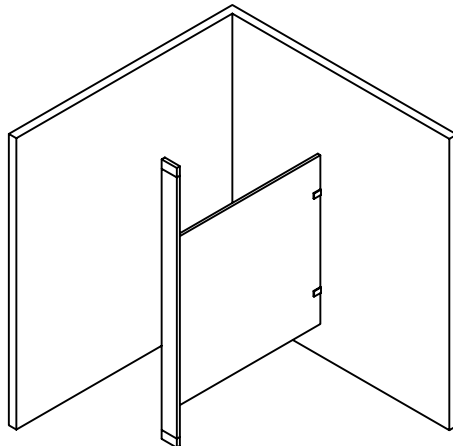
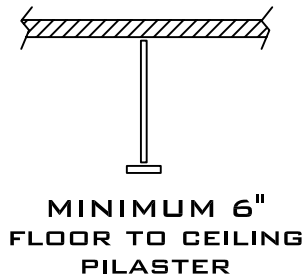
**PHENOLIC  
URINAL AND SIGHT SCREENS  
6.18**

**FLOOR TO CEILING SCREENS  
WITH ALUMINUM 1 3/4" X 1 3/4" POST**



**SIDE ELEVATION**

**FLOOR TO CEILING SCREENS  
WITH PHENOLIC PILASTER**



**SIDE ELEVATION**

**SIGHT SCREENS ABOVE ARE 58" HIGH BY DEPTH REQUIRED  
AVAILABLE WITH CHROME PLATED ZAMAC, STAINLESS STEEL  
STIRRUP BRACKETS, FULL HEIGHT ALUMINUM OR  
STAINLESS STEEL BRACKETS**

 **BLOCKING IN WALL BY OTHERS**

REV 12/04