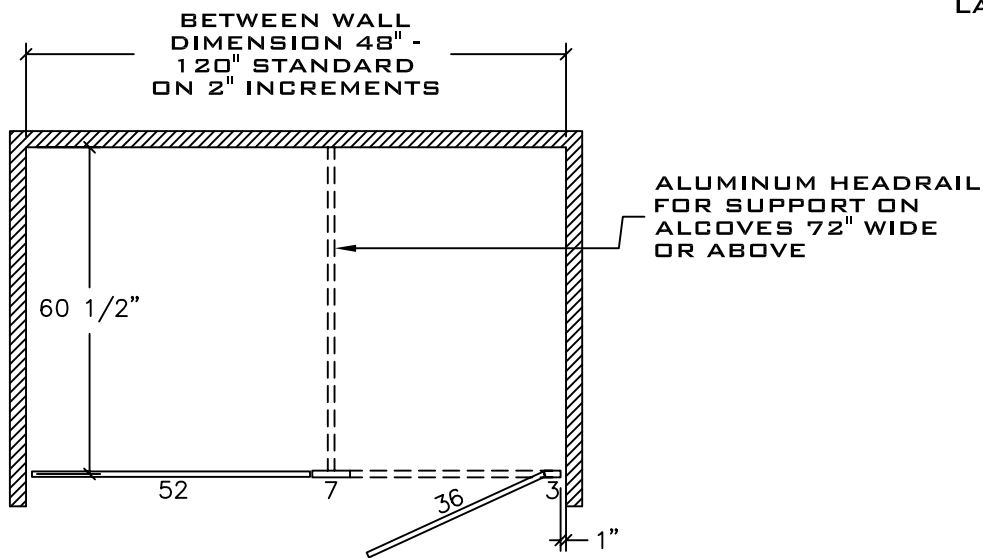
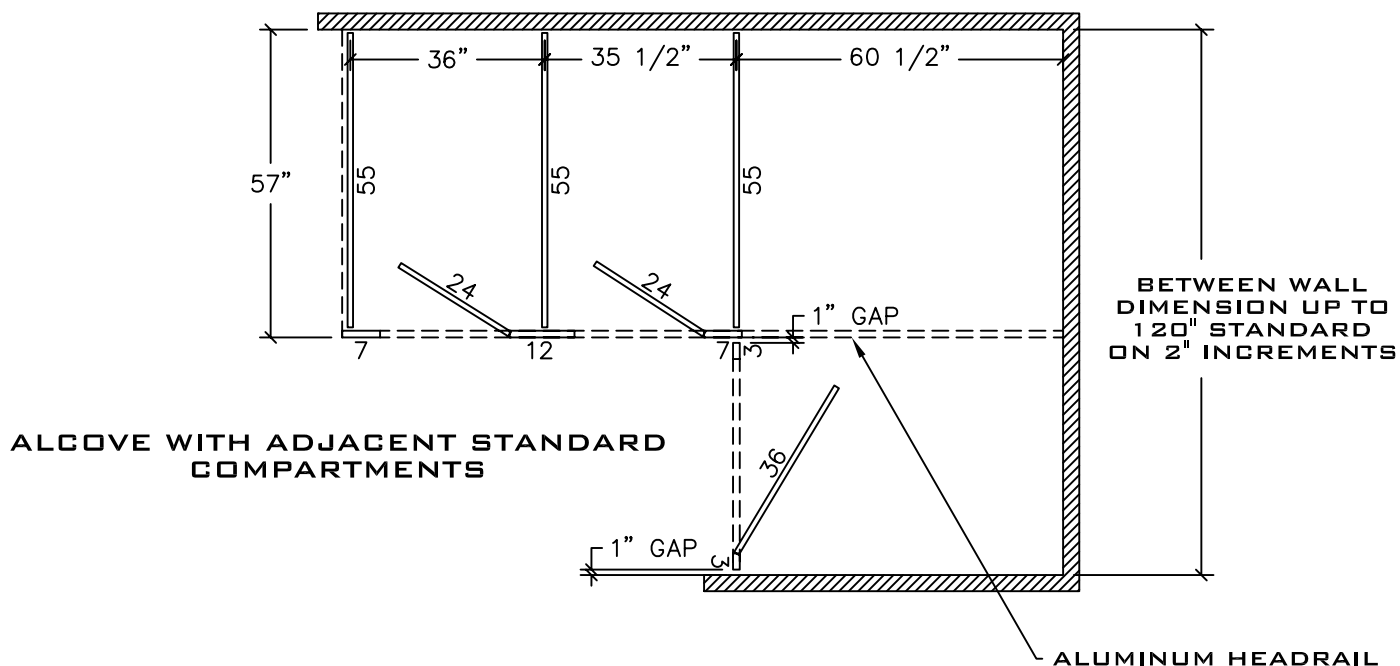


DETAILS

**PHENOLIC
FLOOR ANCHORED /
OVERHEAD BRACED
TYPICAL ALCOVE
LAYOUTS
6.2A**



SINGLE ALCOVE



REV 12/04