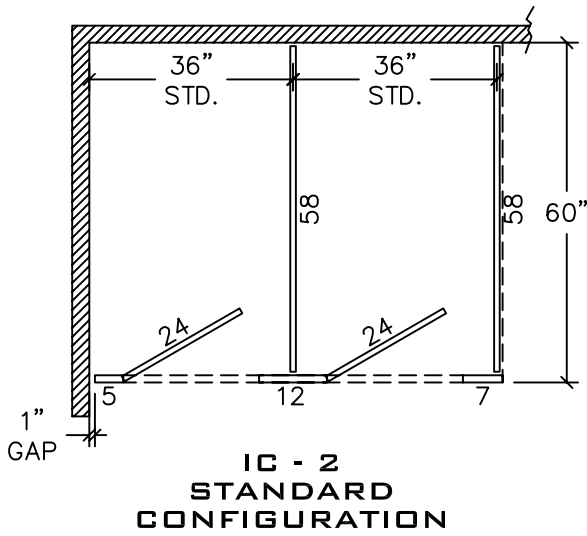
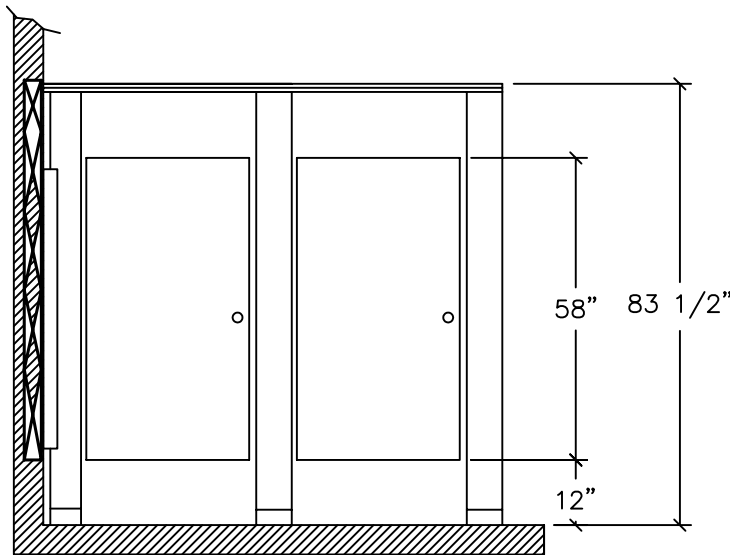
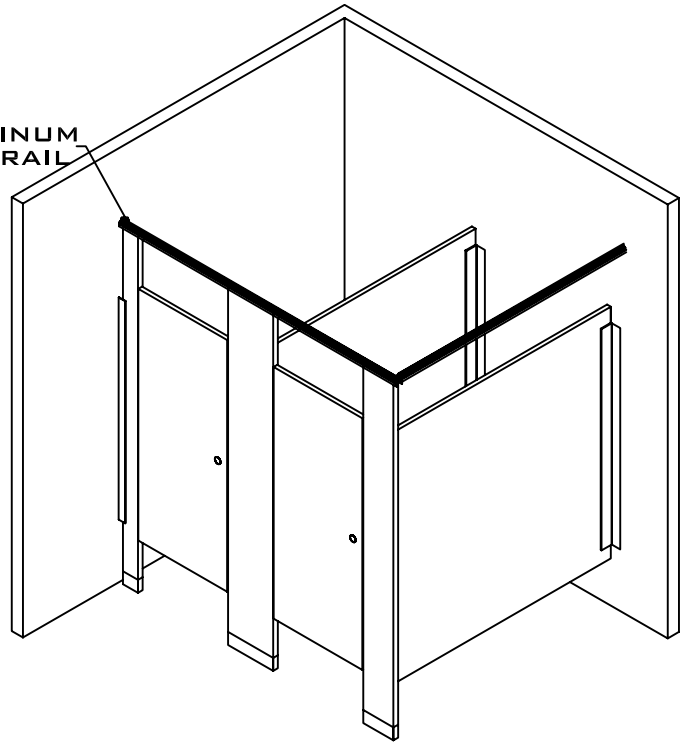


DETAILS

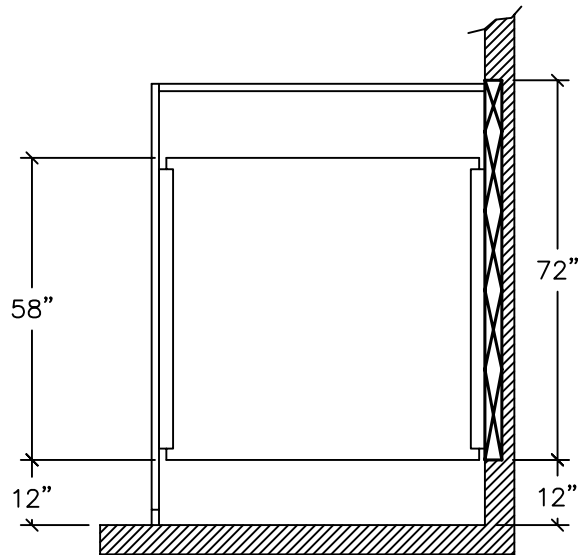
**PHENOLIC
FLOOR ANCHORED /
OVERHEAD BRACED
6.4A**



ALUMINUM
HEADRAIL



FRONT ELEVATION



SIDE ELEVATION

 **BLOCKING IN WALL BY OTHERS**

REV 12/04

Accurate
Accurate Partitions Corp.

**PHENOLIC
FLOOR ANCHORED /
OVERHEAD BRACED
NOT TO SCALE**