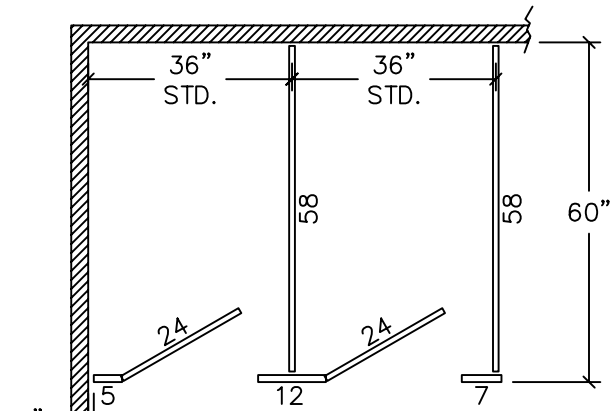
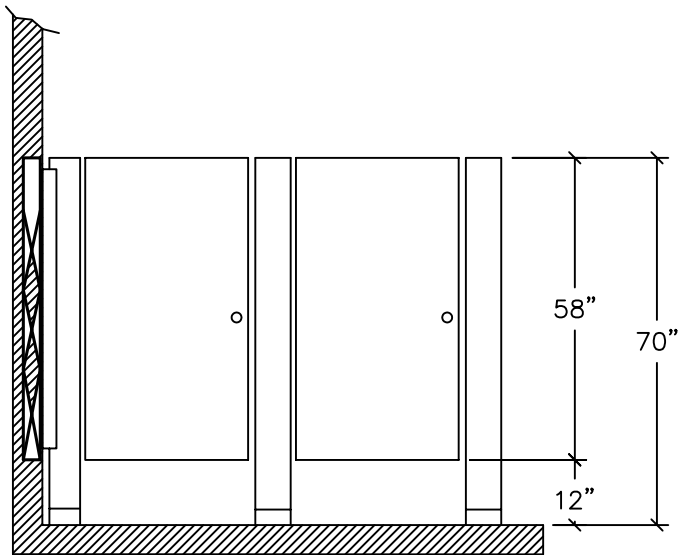
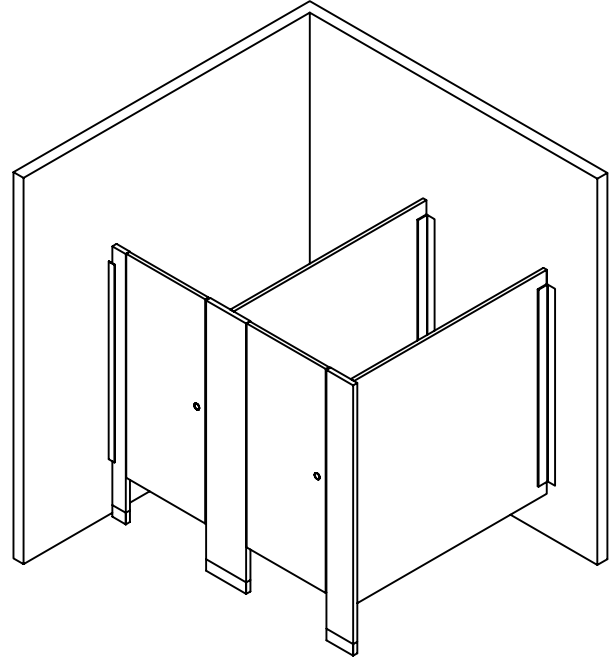


DETAILS

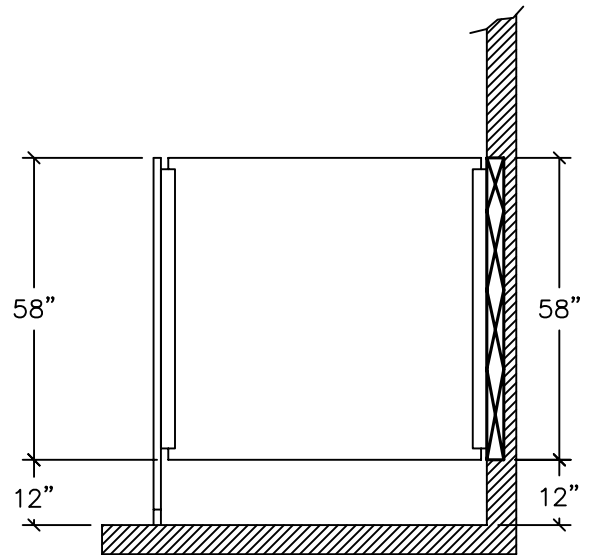
**PHENOLIC
FLOOR ANCHORED
6.7A**



**IC - 2
STANDARD
CONFIGURATION**



FRONT ELEVATION



SIDE ELEVATION

 **BLOCKING IN WALL BY OTHERS**

REV 12/04

Accurate
Accurate Partitions Corp.

**PHENOLIC
FLOOR MOUNTED
NOT TO SCALE**